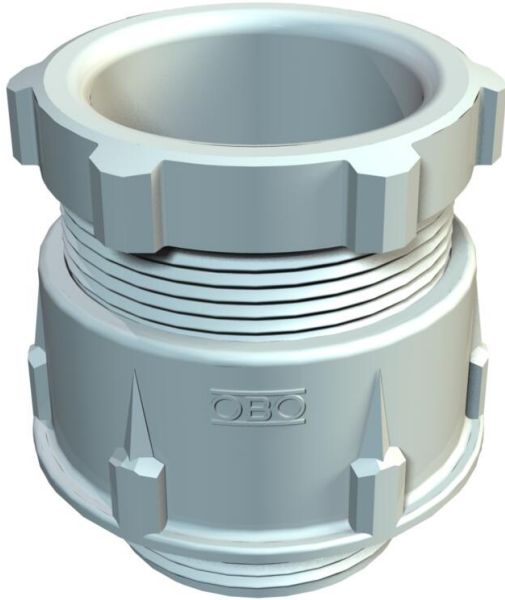


# Technical data sheet

## Cone cable gland, metric thread, light grey

Item number: 2035316



Standard cable gland, shape A, to DIN 46320 with simple NR/SBR sealing ring with metric connection thread to IEC 423.

Protection rating: with connection thread sealing ring IP65, without connection thread sealing ring IP54.

Note: Only tighten polystyrene cable glands lightly due to the risk of stress crack formation.  
Shock-resistant



PS Polystyrene

### Master data

Item number	2035316
Type	106 M12 PS
Description 1	Cable gland
Manufacturer	OBO
Dimension	M12
Colour	Light grey; RAL 7035
Material	Polystyrene
Smallest sales unit	50
Unit of quantity	Piece
Weight	0.4 kg
Weight unit	kg/100 pc.

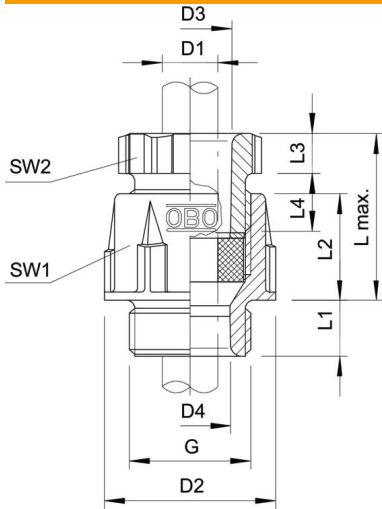
# Technical data sheet

## Cone cable gland, metric thread, light grey



Item number: 2035316

### Dimensions



Length	16.5 mm
Width	16.5 mm
Height	30 mm
Dimension D1	6.5 mm
Dimension D2	16.5 mm
Dimension D3	7 mm
Maß D4	7 mm
Dimension G	M12x1,5 mm
Dimension L max.	23 mm
Dimension L1	8 mm
Dimension L2	13 mm
Dimension L3	5 mm
Dimension L4	8.5 mm

### Technical data

Type of seal	Sealing ring
Version for	Straight
Bend protection	no
Sealing area D, max.	6.5 mm
Sealing area D, min.	3.5 mm
explosion-proof	no
For Ex zone	Without
For Ex zone gas	Without
For Ex zone dust	Without
Thread	M12 x 1,5
Thread type	Metric
Thread length	8 mm
Nominal thread size	12
Fibre-glass reinforced	no
Halogen-free	yes
Sealing insert, multiple	no
With locknut	no
Impact-resistant	yes
WAF 1	15 mm
WAF 2	13 mm
Protection rating	IP65
Splittable gland	no
Strain relief option	no