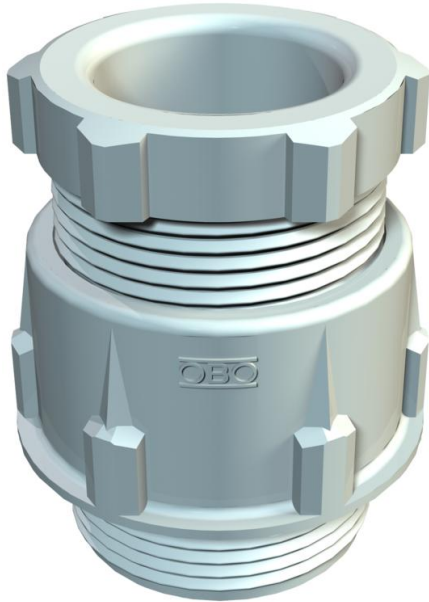


Technical data sheet

Cone cable gland, PG thread, light grey

Item number: 2036290



Standard cable gland, shape A, to DIN 46320 with simple NR/SBR sealing ring.
PG connection thread in accordance with DIN 40430.

Protection rating: with connection thread sealing ring IP65, without connection thread sealing ring IP54.

Note: Only tighten polystyrene cable glands lightly due to the risk of stress crack formation.

Shock-resistant



PS Polystyrene

Master data

Item number	2036290
Type	106 PG29
Description 1	Cable gland
Manufacturer	OBO
Dimension	PG29
Colour	Light grey; RAL 7035
Material	Polystyrene
Smallest sales unit	10
Unit of quantity	Piece
Weight	3.004 kg
Weight unit	kg/100 pc.

Technical data sheet

Cone cable gland, PG thread, light grey

Item number: 2036290



Dimensions



Length	47.5 mm
Width	47.5 mm
Height	50 mm
Dimension D1	25 mm
Dimension D2	47.5 mm
Dimension D3	30 mm
Maß D4	27.5 mm
Dimension G	Pg29 mm
Dimension L max.	42 mm
Dimension L1	11 mm
Dimension L2	20.5 mm
Dimension L3	8 mm
Dimension L4	18 mm

Technical data

Type of seal	Sealing ring
Version for	Straight
Bend protection	no
Sealing area D, max.	25 mm
Sealing area D, min.	18 mm
explosion-proof	no
For Ex zone	Without
For Ex zone gas	Without
For Ex zone dust	Without
Thread	Pg 29
Thread type	PG
Thread length	11 mm
Nominal thread size	29
Fibre-glass reinforced	no
Halogen-free	yes
Sealing insert, multiple	no
With locknut	no
Impact-resistant	no
WAF 1	42 mm
WAF 2	40 mm
Protection rating	IP65
Splittable gland	no
Strain relief option	no