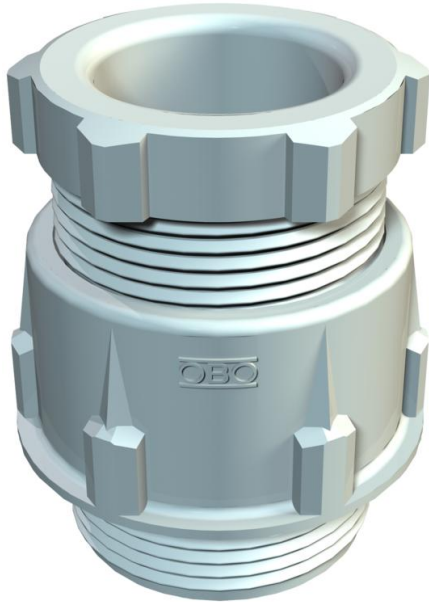


# Technical data sheet

## Cone cable gland, PG thread, light grey

Item number: 2036363



Standard cable gland, shape A, to DIN 46320 with simple NR/SBR sealing ring.  
PG connection thread in accordance with DIN 40430.

Protection rating: with connection thread sealing ring IP65, without connection thread sealing ring IP54.

Note: Only tighten polystyrene cable glands lightly due to the risk of stress crack formation.

Shock-resistant



PS Polystyrene

### Master data

Item number	2036363
Type	106 PG36
Description 1	Cable gland
Manufacturer	OBO
Dimension	PG36
Colour	Light grey; RAL 7035
Material	Polystyrene
Smallest sales unit	10
Unit of quantity	Piece
Weight	6.24 kg
Weight unit	kg/100 pc.

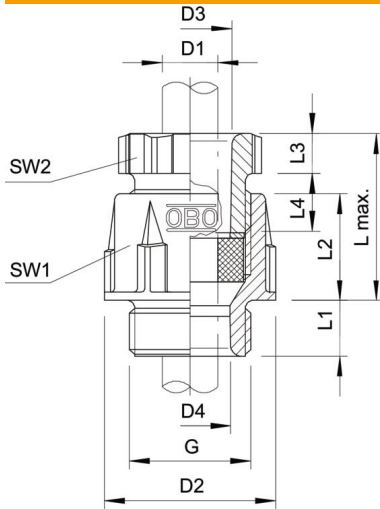
# Technical data sheet

## Cone cable gland, PG thread, light grey

Item number: 2036363



### Dimensions



Length	58 mm
Width	60 mm
Height	52 mm
Dimension D1	32 mm
Dimension D2	52 mm
Dimension D3	38 mm
Maß D4	34.5 mm
Dimension G	Pg36 mm
Dimension L max.	43 mm
Dimension L1	12 mm
Dimension L2	24 mm
Dimension L3	8 mm
Dimension L4	17 mm

### Technical data

Type of seal	Sealing ring
Version for	Straight
Bend protection	no
Sealing area D, max.	33 mm
Sealing area D, min.	25 mm
explosion-proof	no
For Ex zone	Without
For Ex zone gas	Without
For Ex zone dust	Without
Thread	Pg 36
Thread type	PG
Thread length	12 mm
Nominal thread size	36
Fibre-glass reinforced	no
Halogen-free	yes
Sealing insert, multiple	no
With locknut	no
Impact-resistant	no
WAF 1	53 mm
WAF 2	50 mm
Protection rating	IP65
Splittable gland	no
Strain relief option	no