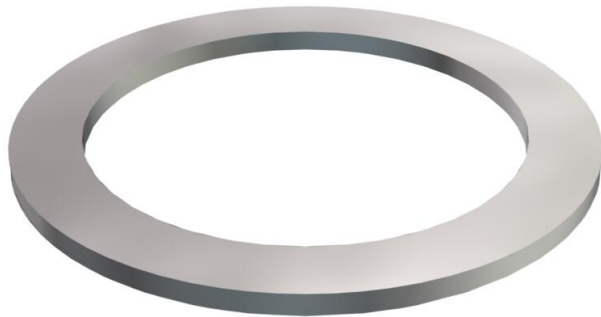


Technical data sheet

Pressure ring, PG thread

Item number: 2027135



Pressure ring, Part 7, to DIN 46320, suitable for plastic and brass glands to DIN 46320.



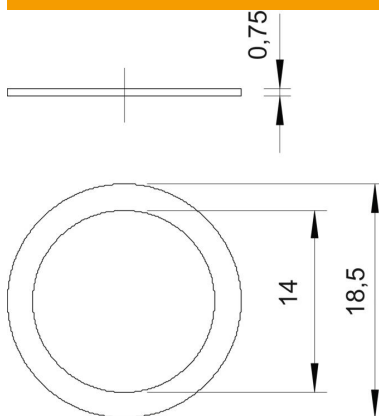
St Steel

GTP Electrogalvanized, transparently passivated

Master data

Item number	2027135
Type	107 D PG13.5 GTP
Description 1	Pressure ring
Manufacturer	OBO
Dimension	PG13,5
Material	Steel
Surface	Electrogalvanized, transparently passivated
Surface standard	
Smallest sales unit	100
Unit of quantity	Piece
Weight	0.063 kg
Weight unit	kg/100 pc.

Dimensions



Dimension D1	18.5 mm
Dimension D2	14 mm

Technical data sheet

Pressure ring, PG thread

Item number: 2027135



Technical data

Version for	Miscellaneous
Screw for PG thread dimension	13.5
Inner diameter	14 mm