

# Technical data sheet

## Locknut, metric thread

Item number: 2049554



Locknut to DIN 46319, with metric thread IEC 423.

Note: Only tighten polystyrene cable glands lightly due to the risk of stress crack formation.



**PS** Polystyrene

### Master data

Item number	2049554
Type	116 M32 LGR PS
Description 1	Locknut
Manufacturer	OBO
Dimension	M32
Colour	Light grey; RAL 7035
Material	Polystyrene
Smallest sales unit	50
Unit of quantity	Piece
Weight	0.484 kg
Weight unit	kg/100 pc.

# Technical data sheet

Locknut, metric thread

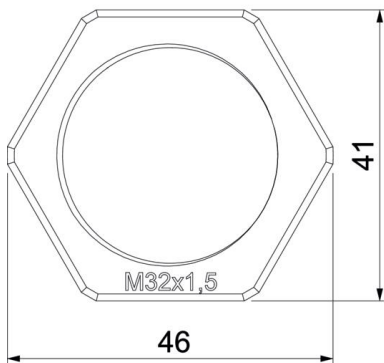
Item number: 2049554



## Dimensions



Dimension E	46 mm
Dimension L	7 mm



## Technical data

Thread	M32_x_1,5
Thread type	Metric
Nominal thread size metric/PG	32
Fibre-glass reinforced	no
Halogen-free	yes
Impact-resistant	yes
WAF	41