

Technical data sheet

Reduction, metric thread

Item number: 2089521



Reduction (Part H) in accordance with DIN 46320, with metric thread to DIN EN 60423 or ISO 68.

* Prices according to DEL notation.



CuZn
37 Brass

N Nickel-plated

Master data

Item number	2089521
Type	167 R MS M20-16
Description 1	Reduction
Manufacturer	OBO
Dimension	M20-M16
Material	Brass
Surface	Nickel-plated
Surface standard	
Smallest sales unit	50
Unit of quantity	Piece
Weight	1.134 kg
Weight unit	kg/100 pc.

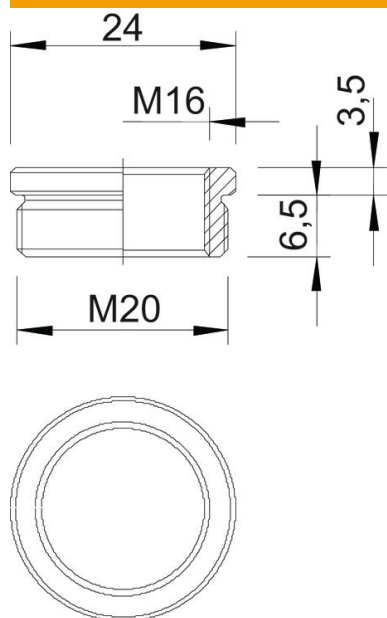
Technical data sheet

Reduction, metric thread

Item number: 2089521



Dimensions



Dimension D	24 mm
Dimension L1	6.5 mm
Dimension L2	3.5 mm

Technical data

explosion-proof	no
Thread type: External thread	Metric
Thread type: Internal thread	Metric
Thread length	6.5 mm
Thread dimension, metric, external	20
Thread dimension, metric, internal	16
Nickel-plated	yes