

# Technical data sheet

## Reduction, metric thread

Item number: 2089629



Reduction (Part H) in accordance with DIN 46320, with metric thread to DIN EN 60423 or ISO 68.

\* Prices according to DEL notation.



**CuZn**  
37 Brass

**N** Nickel-plated

### Master data

Item number	2089629
Type	167 R MS M63-40
Description 1	Reduction
Manufacturer	OBO
Dimension	M63-M40
Material	Brass
Surface	Nickel-plated
Surface standard	
Smallest sales unit	10
Unit of quantity	Piece
Weight	30.08 kg
Weight unit	kg/100 pc.

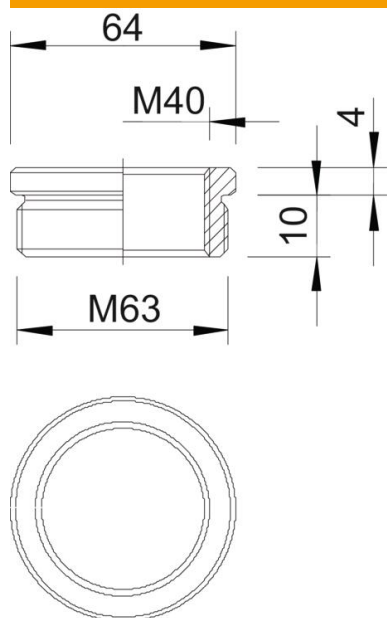
# Technical data sheet

## Reduction, metric thread

Item number: 2089629



### Dimensions



Dimension D	64 mm
Dimension L1	10 mm
Dimension L2	4 mm

### Technical data

explosion-proof	no
Thread type: External thread	Metric
Thread type: Internal thread	Metric
Thread length	10 mm
Thread dimension, metric, external	63
Thread dimension, metric, internal	40
Nickel-plated	yes