

# Technical data sheet

Locknut, metric thread

Item number: 2091682



Locknut to DIN 46319 with metric thread IEC 423.

\* Prices according to DEL notation.



**CuZn**  
37 Brass

**N** Nickel-plated

## Master data

Item number	2091682
Type	169 MS M63
Description 1	Locknut
Manufacturer	OBO
Dimension	M63
Material	Brass
Surface	Nickel-plated
Surface standard	
Smallest sales unit	25
Unit of quantity	Piece
Weight	5.628 kg
Weight unit	kg/100 pc.

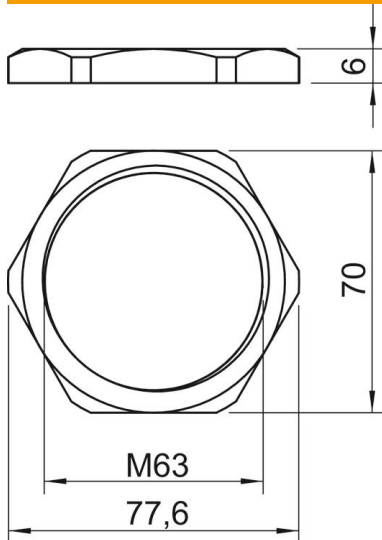
# Technical data sheet

Locknut, metric thread

Item number: 2091682



## Dimensions



Dimension E	77.6 mm
Dimension L	6 mm

## Technical data

Thread	M63_x_1,5
Thread type	Metric
Nominal thread size metric/PG	63
Fibre-glass reinforced	no
Halogen-free	no
Impact-resistant	no
WAF	70