

Technical data sheet

Locknut, metric thread

Item number: 2091685



Locknut to DIN 46319 with metric thread IEC 423.

* Prices according to DEL notation.



CuZn
37 Brass

N Nickel-plated

Master data

Item number	2091685
Type	169 MS M75
Description 1	Locknut
Manufacturer	OBO
Dimension	M75
Material	Brass
Surface	Nickel-plated
Surface standard	
Smallest sales unit	3
Unit of quantity	Piece
Weight	16.8 kg
Weight unit	kg/100 pc.

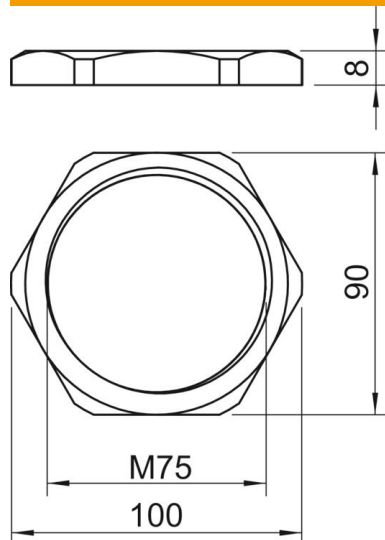
Technical data sheet

Locknut, metric thread

Item number: 2091685



Dimensions



Dimension E	100 mm
Dimension L	8 mm

Technical data

Thread	M75_x_1,5
Thread type	Metric
Nominal thread size metric/PG	75
Fibre-glass reinforced	no
Halogen-free	no
Impact-resistant	no
WAF	90