

Technical data sheet

Equipotential busbar 1804 for concealed mounting

Item number: 5015545



- Mounted equipotential busbar 1804 in concealed housing
- Pre-marked concealed housing for inserting required cables and covers
- Contact strip made of nickel-plated brass
- Bolts and crossbar made of electrogalvanised steel

Connection options:

- 6x cables 1.5–10 mm²
- 1x cable 6–16 mm²

 Brass

Master data

Item number	5015545
Type	1804 UP
Description 1	Equipotential busbar
Description 2	in box for concealed mounting
Manufacturer	OBO
Dimension	50x5mm
Material	Brass
Smallest sales unit	5
Unit of quantity	Piece
Weight	20.7 kg
Weight unit	kg/100 pc.

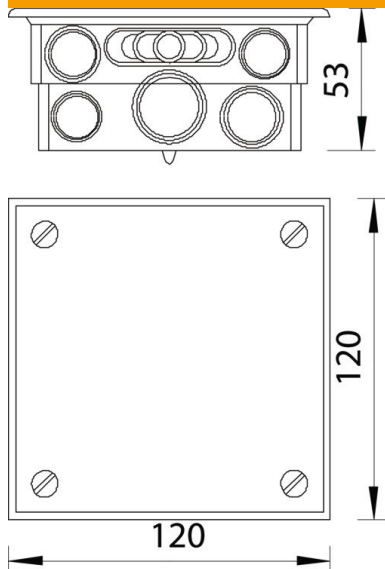
Technical data sheet

Equipotential busbar 1804 for concealed mounting

Item number: 5015545



Dimensions



Length	120 mm
Width	120 mm
Height	53 mm

Technical data

Quantity of flat conductor connections up to 30 mm	1
Quantity of flat conductor connections up to 40 mm	0
Quantity of cable connections up to 16 mm ² , rigid	7
Quantity of cable connections up to 25 mm ² , rigid	0
Quantity of cable connections up to 6 mm ² , rigid	0
Quantity of cable connections up to 95 mm ² , rigid	0
Quantity of round conductor connections 10 mm	0
Quantity of round conductor connections 8 mm	0
Quantity of round conductor connections 8-10 mm	1
Quantity of round conductor connections, total	7
Version for	In the housing
Type	Fixed structure
Insulator	yes
Surface of the terminal	Electrogalvanised
Surface of the contact rail	Nickel-plated
Material of the terminal	Steel
Material of the contact rail	Brass