

Technical data sheet

ISO nail clip 2005, white

Item number: 2225344



ISO nail clip, short design



CE

PP

Polypropylene

Master data

Item number	2225344
Type	2005 25 RW
Description 1	ISO nail clip
Manufacturer	OBO
Dimension	5mm, L25
Colour	Pure white; RAL 9010
Material	Polypropylene
Smallest sales unit	100
Unit of quantity	Piece
Weight	0.078 kg
Weight unit	kg/100 pc.

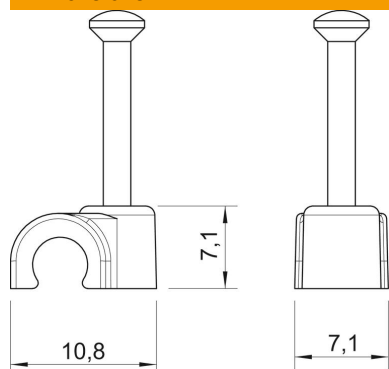
Technical data sheet

ISO nail clip 2005, white

Item number: 2225344



Dimensions



Dimension B	7.1 mm
Dimension H	7.1 mm
Dimension L	10.8 mm

Technical data

Double clip	no
Shape for cable diameter	Round (for round conductor)
For nail diameter	5 mm
Hardened	2.0x28
Halogen-free	yes
With nail	yes
Nail length	25 mm
Impact-resistant	no
Pipe locking	no