

# Technical data sheet

ISO nail clip 2008, black

Item number: 2232170



ISO nail clip, short design



**PP** Polypropylene

## Master data

Item number	2232170
Type	2008 25 SW
Description 1	ISO nail clip
Manufacturer	OBO
Dimension	8mm, L25
Colour	Jet black; RAL 9005
Material	Polypropylene
Smallest sales unit	100
Unit of quantity	Piece
Weight	0.104 kg
Weight unit	kg/100 pc.

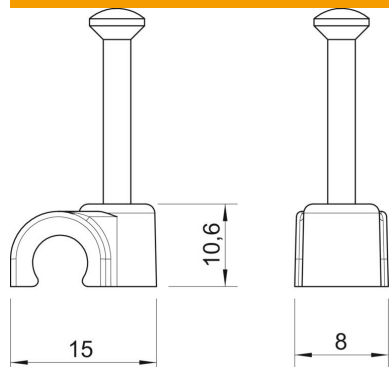
# Technical data sheet

ISO nail clip 2008, black

Item number: 2232170



## Dimensions



Dimension B	8 mm
Dimension H	10.6 mm
Dimension L	15 mm

## Technical data

Double clip	no
Shape	Round (for round conductor)
for cable diameter	8 mm
For nail diameter	2,0x25
Hardened	yes
Halogen-free	yes
With nail	yes
Nail length	25 mm
Impact-resistant	no
Transparent	no
Pipe locking	no