

# Technical data sheet

## ISO nail clip 2009, light grey

Item number: 2227762



ISO nail clip, short design



**PP** Polypropylene

### Master data

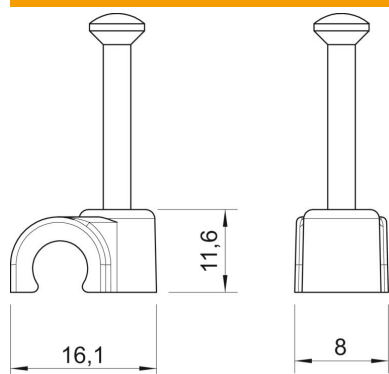
Item number	2227762
Type	2009 35 LGR SP
Description 1	ISO nail clip
Description 2	large packaging
Manufacturer	OBO
Dimension	9mm, L35
Colour	Light grey; RAL 7035
Material	Polypropylene
Smallest sales unit	200
Unit of quantity	Piece
Weight	0.132 kg
Weight unit	kg/100 pc.

# Technical data sheet

## ISO nail clip 2009, light grey

Item number: 2227762

### Dimensions



Dimension B	8 mm
Dimension H	11.6 mm
Dimension L	16.1 mm

### Technical data

Double clip	no
Shape	Round (for round conductor)
for cable diameter	9 mm
For nail diameter	2,0x35
Hardened	yes
Halogen-free	yes
With nail	yes
Nail length	35 mm
Impact-resistant	no
Transparent	no
Pipe locking	no