

Technical data sheet

ISO nail clip 2010, pure white

Item number: 2225816



ISO nail clip, short design



PP Polypropylene

Master data

Item number	2225816
Type	2010 35 RW
Description 1	ISO nail clip
Manufacturer	OBO
Dimension	10mm, L35
Colour	Pure white; RAL 9010
Material	Polypropylene
Smallest sales unit	100
Unit of quantity	Piece
Weight	0.147 kg
Weight unit	kg/100 pc.

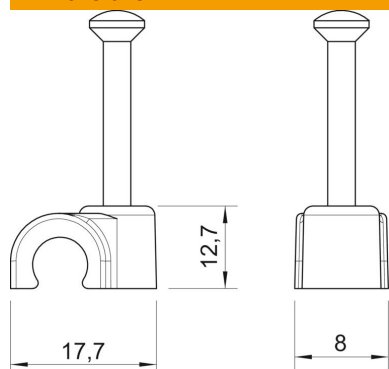
Technical data sheet

ISO nail clip 2010, pure white

Item number: 2225816



Dimensions



Dimension B	8 mm
Dimension H	12.7 mm
Dimension L	17.7 mm

Technical data

Double clip	no
Shape for cable diameter	Round (for round conductor)
For nail diameter	10 mm
Hardened	2,0x35
Halogen-free	yes
With nail	yes
Nail length	yes
Impact-resistant	35 mm
Pipe locking	no