

# Technical data sheet

ISO nail clip 2012, white

Item number: 2226014



ISO nail clip, short design



**PP** Polypropylene

## Master data

Item number	2226014
Description 1	ISO nail clip
Manufacturer	OBO
Dimension	12mm, L25
Colour	Pure white; RAL 9010
Material	Polypropylene
Smallest sales unit	100
Unit of quantity	Piece
Weight	0.145 kg
Weight unit	kg/100 pc.

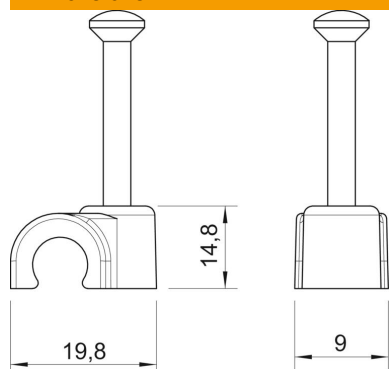
# Technical data sheet

ISO nail clip 2012, white

Item number: 2226014



## Dimensions



Dimension B	9 mm
Dimension H	14.8 mm
Dimension L	19.8 mm

## Technical data

Double clip	no
Shape	Round (for round conductor)
for cable diameter	12 mm
For nail diameter	2,0x25
Hardened	yes
Halogen-free	yes
With nail	yes
Nail length	25 mm
Impact-resistant	no
Pipe locking	no