

Technical data sheet

Universal counter-trough, plastic

Item number: 1198052



Regardless of the type of rail, the counter-trough can be used by applying it onto one side of the clamp clip. Due to an intelligent contour on the backside, the counter-trough can be combined to a double trough. Retrofitting possible without the need to dismantle.



PP Polypropylene

Master data

| | |
|---------------------|-------------------------------|
| Item number | 1198052 |
| Type | 2058UW 52 LGR |
| Description 1 | Counter-trough |
| Description 2 | combinable with double trough |
| Available from | 15.05.2019 |
| Manufacturer | OBO |
| Dimension | 46-52mm |
| Colour | Light grey; RAL 7035 |
| Material | Polypropylene |
| Smallest sales unit | 50 |
| Unit of quantity | Piece |
| Weight | 0.719 kg |
| Weight unit | kg/100 pc. |

Technical data sheet

Universal counter-trough, plastic

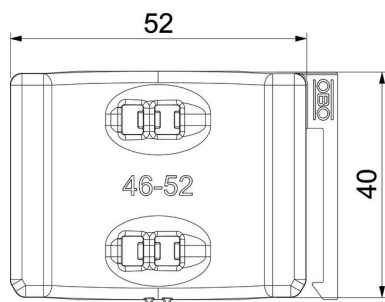
Item number: 1198052



Dimensions



| | |
|-------------|---------|
| Dimension B | 57.5 mm |
| Dimension H | 11.8 mm |
| Dimension L | 40 mm |



Technical data

| | |
|----------------------------------|----------------|
| Counter-trough/clip version | Counter sleeve |
| Suitable for max. cable diameter | 52 mm |
| Clamping range D, max. | 52 mm |
| Clamping range D, min. | 46 mm |