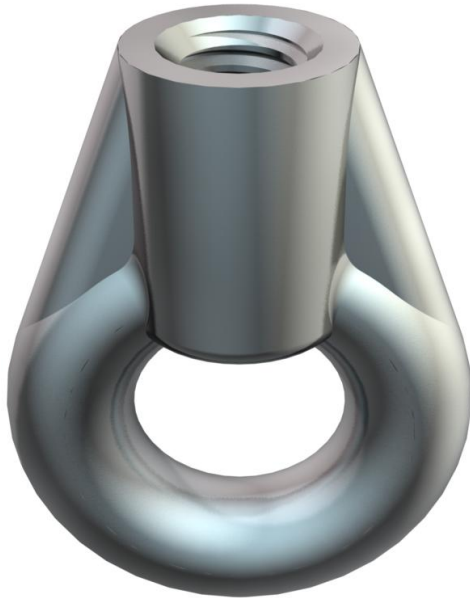


Technical data sheet

Ring eyelet

Item number: 3463567



Ring eyelet with metric internal thread.

CE

- Zn** Die-cast zinc
- G** Electrogalvanized

Master data

| | |
|---------------------|----------------------------|
| Item number | 3463567 |
| Type | 2084 M6 G |
| Description 1 | Ring lug |
| Manufacturer | OBO |
| Dimension | M6 |
| Material | Die-cast zinc |
| Surface | Electrogalvanized |
| Surface standard | EN ISO 19598 / EN ISO 4042 |
| Smallest sales unit | 100 |
| Unit of quantity | Piece |
| Weight | 2.2 kg |
| Weight unit | kg/100 pc. |

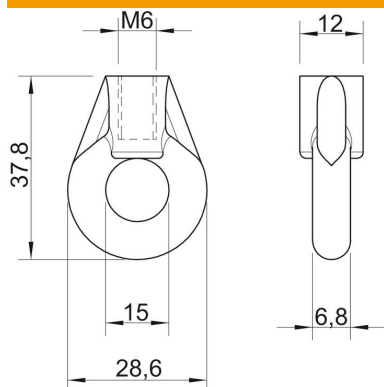
Technical data sheet

Ring eyelet

Item number: 3463567



Dimensions



| | |
|---------------|---------|
| Dimension b | 6.8 mm |
| Dimension BØ | 12 mm |
| Dimension D | 28.6 mm |
| Dimension d Ø | 15 mm |
| Dimension L | 37.8 mm |

Technical data

| | |
|---------------|---------|
| Breaking load | 1.15 kN |
| Thread metric | 6 |