

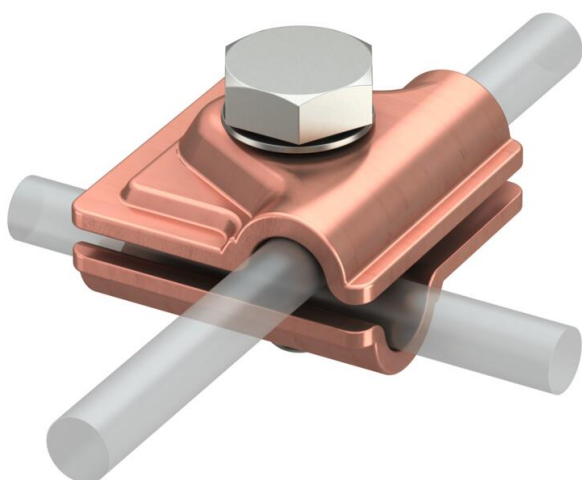
# Technical data sheet

## Vario quick connector Cu

Item number: 5311527



- For T, cross and parallel connectors
- Quick installation using hexagonal bolt M10 x 30, high-grade stainless steel
- Conforms to the requirements according to DIN VDE 0185-305 (IEC 62305)



**Cu** Copper

### Master data

Item number	5311527
Type	249 8-10 CU
Description 1	Quick connector
Description 2	vario
Manufacturer	OBO
Dimension	40x40mm
Material	Copper
Smallest sales unit	10
Unit of quantity	Piece
Weight	10.02 kg
Weight unit	kg/100 pc.

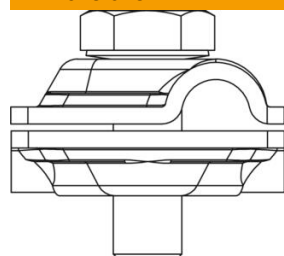
# Technical data sheet

## Vario quick connector Cu

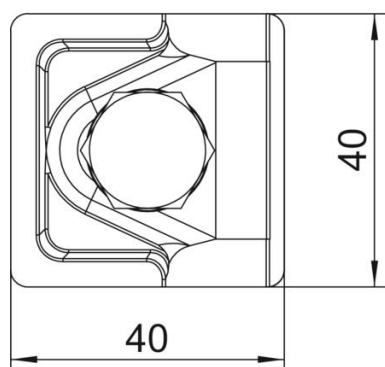
Item number: 5311527



### Dimensions



Dimension A | 40 mm



### Technical data

Type of fastening screw	Hexagonal bolt
Type of connector	Multipurpose connection clamp
Lightning current carrying capacity	H/100 kA
Suitable for connection	Round conductor Rd 8–10 / Rd 8–10
Fit	Rd 8-10 mm
Round conductor diameter, conductor 1, max.	10 mm
Round conductor diameter, conductor 1, min.	8 mm
Round conductor diameter, conductor 2, max.	10 mm
Round conductor diameter, conductor 2, min.	8 mm
Intermediate plate	no