

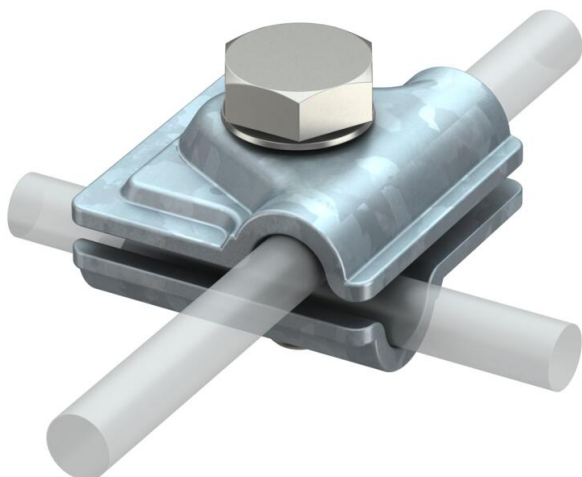
Technical data sheet

Vario quick connector FT

Item number: 5311500



- For T, cross and parallel connectors
- Quick installation using hexagonal bolt M10 x 30, high-grade stainless steel
- Conforms to the requirements according to DIN VDE 0185-305 (IEC 62305)



St Steel

FT Hot-dip galvanised

Master data

Item number	5311500
Type	249 8-10 ST
Description 1	Quick connector
Description 2	vario
Manufacturer	OBO
Dimension	40x40mm
Material	Steel
Surface	Hot-dip galvanised
Surface standard	DIN EN ISO 1461
Smallest sales unit	20
Unit of quantity	Piece
Weight	9.306 kg
Weight unit	kg/100 pc.

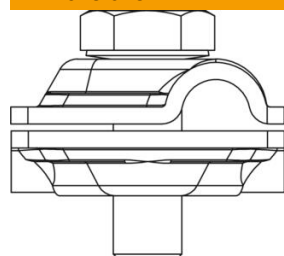
Technical data sheet

Vario quick connector FT

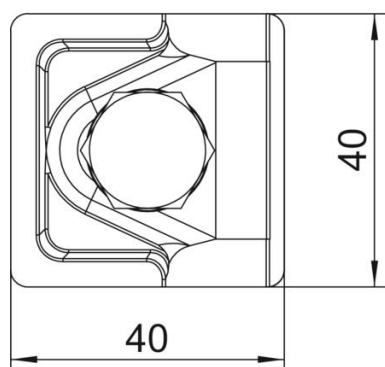
Item number: 5311500



Dimensions



Dimension A | 40 mm



Technical data

Type of fastening screw	Hexagonal bolt
Type of connector	Multipurpose connection clamp
Lightning current carrying capacity	H/100 kA
Suitable for connection	Round conductor Rd 8–10 / Rd 8–10
Short-circuit current (50 Hz)(1 s; $\leq 300^{\circ}\text{C}$)	5.6
Fit	Rd 8–10 mm
Round conductor diameter, conductor 1, max.	10 mm
Round conductor diameter, conductor 1, min.	8 mm
Round conductor diameter, conductor 2, max.	10 mm
Round conductor diameter, conductor 2, min.	8 mm
Intermediate plate	no