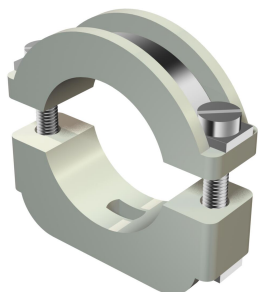


Technical data sheet

Lightning ISO clip

Item number: 2157179



Lightning ISO clips: plastic clip with metal insert, therefore also suitable for heavy-duty applications; metal parts made of electrogalvanised steel.

3015 with 4.5 mm slot.

*Sizes 6–12 and 10–17 not suitable for bolt-firing device.



PS Polystyrene

Master data

Item number	2157179
Description 1	Lightning ISO clip
Description 2	with slot
Manufacturer	OBO
Dimension	10-17mm
Colour	Light grey; RAL 7035
Material	Polystyrene
Smallest sales unit	50
Unit of quantity	Piece
Weight	1.742 kg
Weight unit	kg/100 pc.

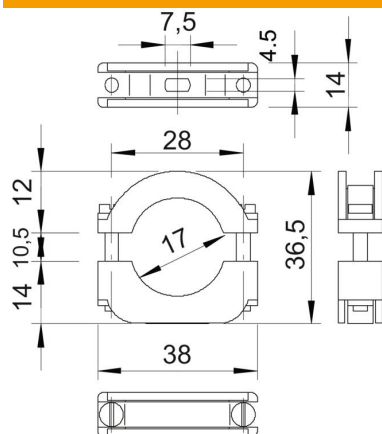
Technical data sheet

Lightning ISO clip

Item number: 2157179



Dimensions



Dimension A	38 mm
Dimension B	28 mm
Dimension b	14 mm
Dimension D	17 mm
Dimension H	36.5 mm
Dimension Ho (mm)	12
Dimension Hu (mm)	14
Dimension L	7.5 mm

Technical data

Number of cables/pipes	1
Version for	Closed
Fastening type	Screw hole
Suitable in fire protection area	no
Halogen-free	yes
Plastic-covered	no
Bolt	M4 x 25
Clamping range D, max.	17 mm
Clamping range D, min.	10 mm
UV-resistant	no