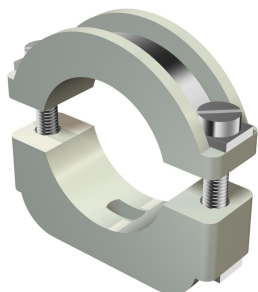


Technical data sheet

Lightning ISO clip

Item number: 2157241



Lightning ISO clips: plastic clip with metal insert, therefore also suitable for heavy-duty applications; metal parts made of electrogalvanised steel.

3015 with 4.5 mm slot.

*Sizes 6–12 and 10–17 not suitable for bolt-firing device.



PS Polystyrene

Master data

Item number	2157241
Type	3015 24 LGR
Description 1	Lightning ISO clip
Description 2	with slot
Manufacturer	OBO
Dimension	17-24mm
Colour	Light grey; RAL 7035
Material	Polystyrene
Smallest sales unit	50
Unit of quantity	Piece
Weight	2.542 kg
Weight unit	kg/100 pc.

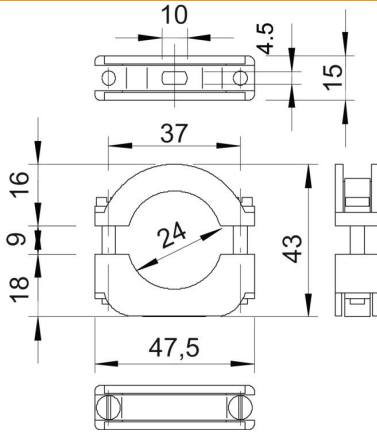
Technical data sheet

Lightning ISO clip

Item number: 2157241



Dimensions



Dimension A	47.5 mm
Dimension B	37 mm
Dimension b	15 mm
Dimension D	24 mm
Dimension H	43 mm
Dimension Ho (mm)	16
Dimension Hu (mm)	18
Dimension L	10 mm

Technical data

Number of cables/pipes	1
Version for	Closed
Fastening type	Screw hole
Suitable in fire protection area	no
Halogen-free	yes
Plastic-covered	no
Bolt	M4 x 30
Clamping range D, max.	24 mm
Clamping range D, min.	17 mm
UV-resistant	no