

Technical data sheet

Siko nail

Item number: 3366405



Hardened steel, blue tempered, with polyethylene safety head.

- St** Steel
- BK** Bright

Master data

Item number	3366405
Type	511 40
Description 1	Siku needle
Description 2	hardened
Manufacturer	OBO
Dimension	2x40mm
Material	Steel
Surface	Bright
Surface standard	
Smallest sales unit	1000
Unit of quantity	Piece
Weight	0.104 kg
Weight unit	kg/100 pc.

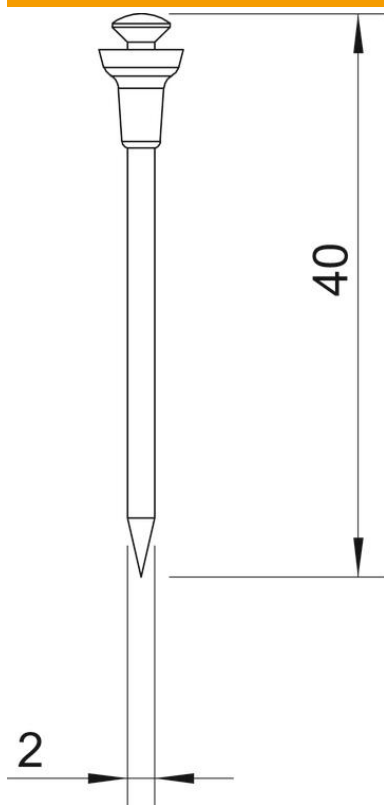
Technical data sheet

Siko nail

Item number: 3366405



Dimensions



Length	40 mm
Dimension d	2 mm
Dimension L	40 mm

Technical data

Version for	Siko
Screw nail version	no
Hardened	yes
Head shape	Rounded head
Shank diameter	2 mm