

# Technical data sheet

## Fastening clip 604, light duty

Item number: 1003461



Single-lobe fastening clip for cables and pipes.  
\* Sizes 3 and 4 are not suitable for nail device  
\* Sizes 3 to 21 are not suitable for bolt-firing tool



**St** Steel

**G** Electrogalvanized

### Master data

Item number	1003461
Type	604 47 G
Description 1	Fastening clip
Description 2	single lobe
Manufacturer	OBO
Dimension	47mm
Material	Steel
Surface	Electrogalvanized
Surface standard	EN ISO 19598 / EN ISO 4042
Smallest sales unit	50
Unit of quantity	Piece
Weight	2.484 kg
Weight unit	kg/100 pc.

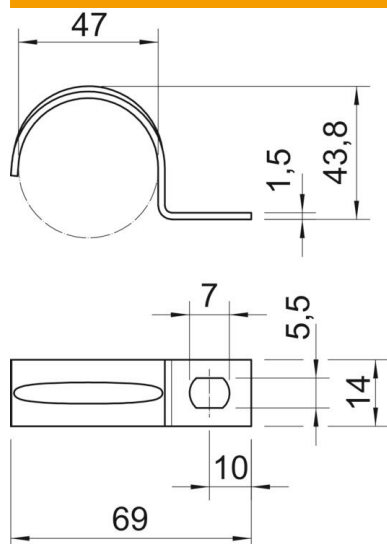
# Technical data sheet

## Fastening clip 604, light duty

Item number: 1003461



### Dimensions



Length	69 mm
Width	14 mm
Height	43.8 mm
Dimension A	10 mm
Dimension b	14 mm
Dimension D	47 mm
Dimension d	5.5 mm
Dimension e	7 mm
Dimension H	43.8 mm
Dimension L	69 mm
Dimension t	1.5 mm

### Technical data

Distance to the wall	no
Number of cables/pipes	1
Version for	Single-lobe
Fastening type	Screw hole
For diameter	47
Suitable in fire protection area	no
Halogen-free	yes
Plastic-covered	no
Hole size	5,5 x 7 mm
Material thickness	1.5 mm
Nominal diameter	47 mm
UV-resistant	yes