

Technical data sheet

Fastening clip 604, light duty

Item number: 1003089



Single-lobe fastening clip for cables and pipes.
* Sizes 3 and 4 are not suitable for nail device
* Sizes 3 to 21 are not suitable for bolt-firing tool



St Steel

G Electrogalvanized

Master data

| | |
|---------------------|----------------------------|
| Item number | 1003089 |
| Type | 604 8 G |
| Description 1 | Fastening clip |
| Description 2 | single lobe |
| Manufacturer | OBO |
| Dimension | 8mm |
| Material | Steel |
| Surface | Electrogalvanized |
| Surface standard | EN ISO 19598 / EN ISO 4042 |
| Smallest sales unit | 100 |
| Unit of quantity | Piece |
| Weight | 0.123 kg |
| Weight unit | kg/100 pc. |

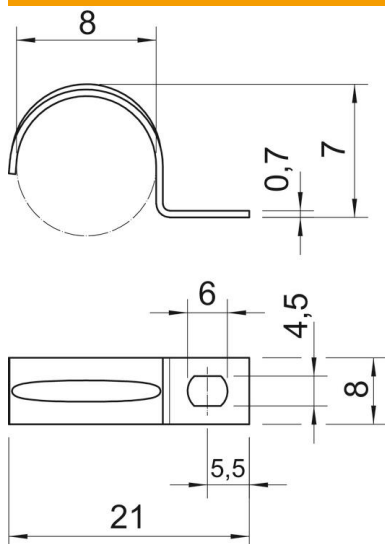
Technical data sheet

Fastening clip 604, light duty

Item number: 1003089



Dimensions



| | |
|-------------|--------|
| Length | 21 mm |
| Width | 8 mm |
| Height | 7 mm |
| Dimension A | 5.5 mm |
| Dimension b | 8 mm |
| Dimension D | 8 mm |
| Dimension d | 4.5 mm |
| Dimension e | 6 mm |
| Dimension H | 7 mm |
| Dimension L | 21 mm |
| Dimension t | 0.7 mm |

Technical data

| | |
|----------------------------------|-------------|
| Distance to the wall | no |
| Number of cables/pipes | 1 |
| Version for | Single-lobe |
| Fastening type | Screw hole |
| For diameter | 8 |
| Suitable in fire protection area | no |
| Halogen-free | yes |
| Plastic-covered | no |
| Hole size | 4,5 x 6 mm |
| Material thickness | 0.7 mm |
| Nominal diameter | 8 mm |
| UV-resistant | yes |