

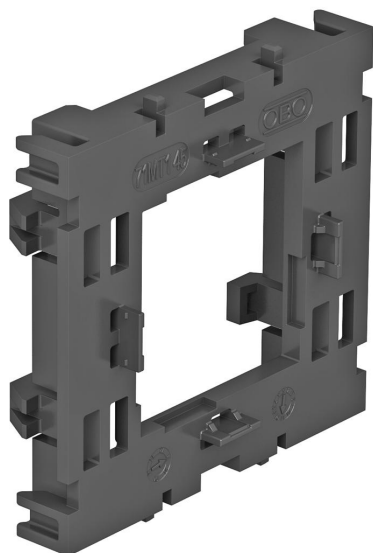
# Technical data sheet

## Mounting support 71MT1, single, for Modul 45®

Item number: 6288572



Front locking mounting support for Modul 45 data technology systems and Modul 45connect protective contact sockets with Wieland connection.



PA Polyamide

### Master data

Item number	6288572
Type	71MT1 45
Description 1	Mounting support for Modul 45
Description 2	open version
Manufacturer	OBO
Dimension	15x76x71
Colour	Light grey; RAL 7035
Material	Polyamide
Smallest sales unit	10
Unit of quantity	Piece
Weight	2 kg
Weight unit	kg/100 pc.

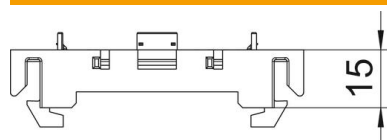
# Technical data sheet

Mounting support 71MT1, single, for Modul 45®

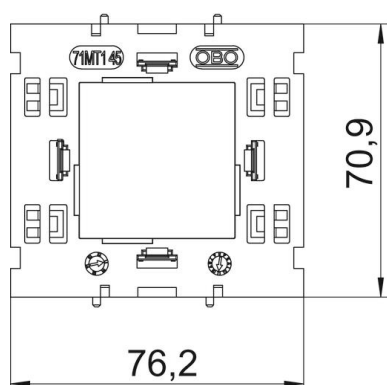
Item number: 6288572



## Dimensions



Length	71 mm
Width	76 mm
Height	15 mm



## Technical data

Number of units	1
Version for	Open
Fastening track	Other
Halogen-free	yes
With connection compartment	no
Box mounting type	Front
Accessory mounting type	Lock
Strain relief option	no