

Technical data sheet

Cable and pipe spacer clip 733 G

Item number: 1361619



- * Size M16 is not suitable for nail device
- * Sizes M16 - PG16 are not suitable for bolt-firing tool



St Steel

G Electrogalvanized

Master data

Item number	1361619
Description 1	Distance saddle
Description 2	with slot
Manufacturer	OBO
Dimension	53-61mm
Material	Steel
Surface	Electrogalvanized
Surface standard	EN ISO 19598 / EN ISO 4042
Smallest sales unit	20
Unit of quantity	Piece
Weight	6.37 kg
Weight unit	kg/100 pc.

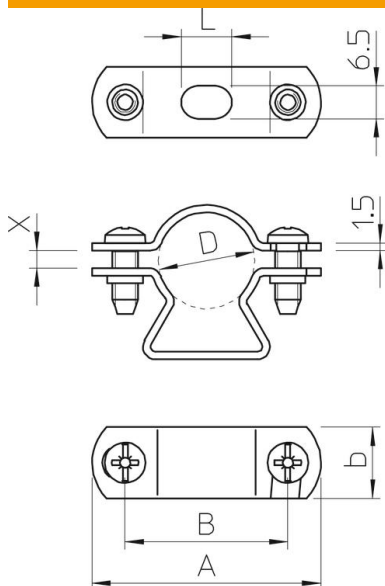
Technical data sheet

Cable and pipe spacer clip 733 G

Item number: 1361619



Dimensions



Length	96 mm
Dimension A	96 mm
Dimension B	78 mm
Dimension b	18 mm
Dimension D	61 mm
Dimension L	14 mm
Dimension x	12.5 mm

Technical data

Distance to the wall	yes
Number of cables/pipes	1
Version for	Closed
Fastening type	Screw hole
For diameter	61
Suitable in fire protection area	yes
Size	Pg48
Halogen-free	yes
Plastic-covered	no
Hole size	6,5 x 14 mm
Material thickness	1.5 mm
Bolt	M5 x 18
Clamping range D, max.	61 mm
Clamping range D, min.	53 mm
UV-resistant	yes