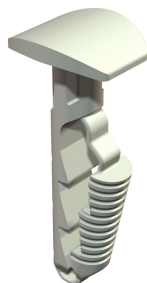


Technical data sheet

Push-fit anchor with mushroom head

Item number: 2351412



The push-fit anchor allows simple mounting, e.g. of labelling panels or small WDK ducts.

Suitable for concrete, lime sandstone and brickwork as solid brick. Use in gas concrete masonry is possible, but reduced load capacities must be expected.



PA Polyamide

Master data

Item number	2351412
Type	910 STP 6x30
Description 1	Push-fit plug
Description 2	with mushroom
Manufacturer	OBO
Dimension	6x30mm
Colour	Grey-white; RAL 9002
Material	Polyamide
Smallest sales unit	100
Unit of quantity	Piece
Weight	0.101 kg
Weight unit	kg/100 pc.

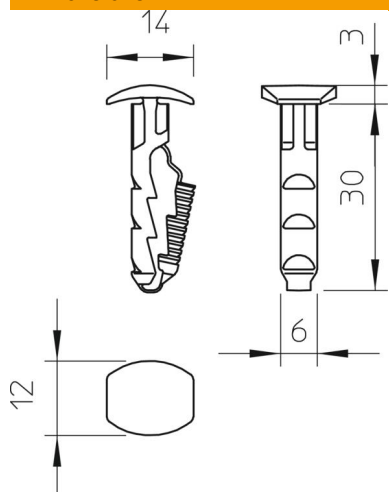
Technical data sheet

Push-fit anchor with mushroom head

Item number: 2351412



Dimensions



Length 30 mm

Technical data

Version for	Push-fit anchor
Drill hole depth	35 mm
Drill hole diameter, min.	6 mm
Breaking load for concrete B25	250 N
Suitable for fastening with cable ties	no
Suitable for gas concrete	yes
Suitable for hexagonal wood screw	no
Halogen-free	yes
With edge	yes
With bolts	no