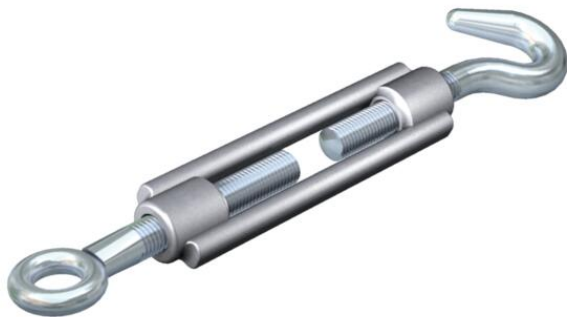


# Technical data sheet

## Tension jack G

Item number: 5300053



With hook and eye, to DIN 1480.

CE

**St** Steel

**G** Electrogalvanized

### Master data

Item number	5300053
Type	945 M10 G
Description 1	Tensioner
Manufacturer	OBO
Dimension	M10
Material	Steel
Surface	Electrogalvanized
Surface standard	EN ISO 19598 / EN ISO 4042
Smallest sales unit	5
Unit of quantity	Piece
Weight	33.65 kg
Weight unit	kg/100 pc.

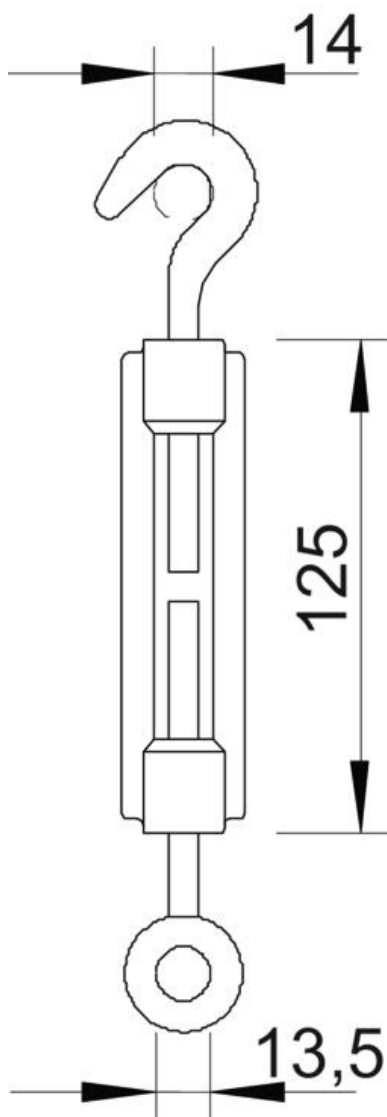
# Technical data sheet

## Tension jack G

Item number: 5300053



### Dimensions



Dimension A	14 mm
Dimension B	13.5 mm
Dimension C	125 mm

### Technical data

Breaking load	5 kN
Thread	M10
Length of clamping nut C	125 mm
Span width	80 mm