

# Technical data sheet

## Suspension clamp, tunnel 120

Item number: 6363998



Suspension clamp to suspend cable trays, mesh cable trays and cable ladders specifically for tunnel construction. Tested to DIN 4102-12.



A5

Stainless steel

### Master data

Item number	6363998
Type	AHB-T1712 VA4547
Description 1	Suspension bracket
Description 2	for tunnel construction
Available from	01.03.2023
Manufacturer	OBO
Dimension	170x120
Material	Stainless steel
Smallest sales unit	1
Unit of quantity	Piece
Weight	28.6 kg
Weight unit	kg/100 pc.

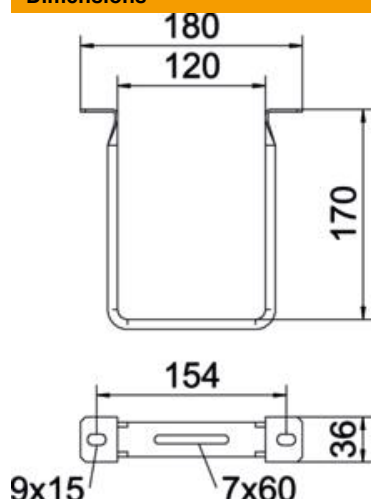
# Technical data sheet

## Suspension clamp, tunnel 120

Item number: 6363998



### Dimensions



Dimension B	120 mm
Dimension D	60 mm
Dimension H	170 mm
Dimension L	180 mm
Dimension I	154 mm

### Technical data

Version for	Miscellaneous
Maintain electrical functions	yes
Suitable for mesh cable tray	yes
Suitable for cable ladder	yes
Suitable for cable tray	yes
Suitable for tray/ladder width	100 mm
Material thickness	2 mm
Tray fastening	Screw-on