

Technical data sheet

Anchor rail AML3518, slot width 16.5 mm, FT, perforated

Item number: 1119672



Central C profile rail for cable routing, in conjunction with clamp clips with a hammerhead foot. Can also be used as suspension construction for cable support systems.



- St** Steel
- FT** Hot-dip galvanised

Master data

| | |
|---------------------|-------------------------|
| Item number | 1119672 |
| Type | AML3518P1000FT |
| Description 1 | Profile rail |
| Description 2 | perforated, slot 16.5mm |
| Manufacturer | OBO |
| Dimension | 1000x35x18 |
| Material | Steel |
| Surface | Hot-dip galvanised |
| Surface standard | DIN EN ISO 1461 |
| Smallest sales unit | 10 |
| Unit of quantity | Metre |
| Weight | 89 kg |
| Weight unit | kg/100 m |

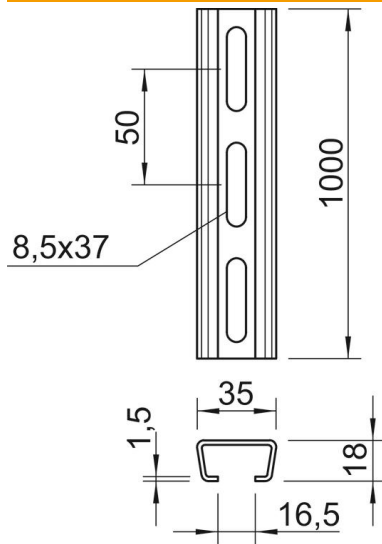
Technical data sheet

Anchor rail AML3518, slot width 16.5 mm, FT, perforated

Item number: 1119672



Dimensions



| | |
|-------------|----------|
| Length | 1,000 mm |
| Width | 35 mm |
| Height | 18 mm |
| Dimension L | 1,000 mm |

Technical data

| | |
|-------------------------------|----------------------|
| Breakable | no |
| Type of perforation | Perforated back |
| Version for | Single profile |
| Drill hole spacing, centre | 50 mm |
| Bundle | 10 m |
| Maintain electrical functions | no |
| Material thickness | 1.5 mm |
| With perforation | yes |
| With tothing | no |
| Profile shape | C profile |
| Slot width | 16.5 mm |
| Static value A | 1.01 cm ² |
| Static value I _y | 0.44 cm |
| Static value I _z | 1.84 cm |
| Static value W _y | 0.42 cm ² |
| Static value W _z | 1.05 cm ² |