

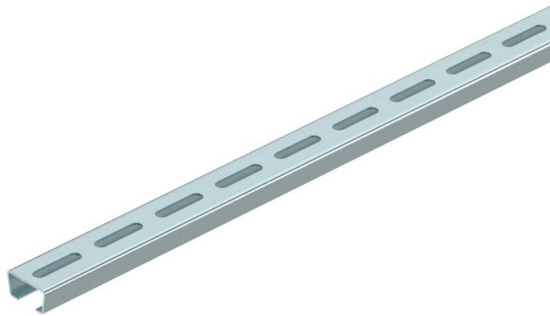
# Technical data sheet

Anchor rail AML3518, slot width 16.5 mm, FS, perforated

Item number: 1112735



Central C profile rail for cable routing, in conjunction with clamp clips with a hammerhead foot. Can also be used as suspension construction for cable support systems.



**St** Steel

**FS** Strip galvanized

## Master data

Item number	1112735
Type	AMS3518P1000FS
Description 1	Profile rail
Description 2	perforated, slot 16.5mm
Manufacturer	OBO
Dimension	1000x35x18
Material	Steel
Surface	Strip galvanized
Surface standard	DIN EN 10346
Smallest sales unit	1
Unit of quantity	Metre
Weight	115 kg
Weight unit	kg/100 m

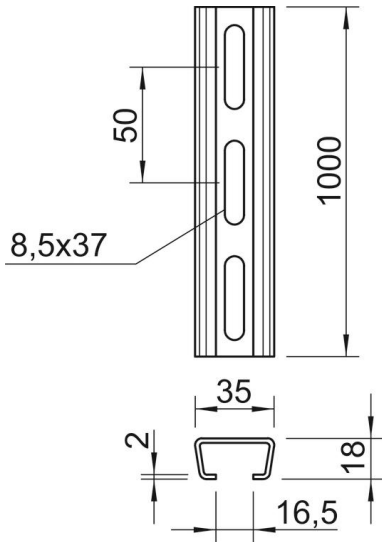
# Technical data sheet

Anchor rail AML3518, slot width 16.5 mm, FS, perforated

Item number: 1112735



## Dimensions



Length	1,000 mm
Width	35 mm
Height	18 mm
Dimension L	1,000 mm

## Technical data

Breakable	no
Type of perforation	Perforated back
Version for	Single profile
Drill hole spacing, centre	50 mm
Maintain electrical functions	no
Material thickness	2 mm
With perforation	yes
With tothing	no
Profile shape	C profile
Slot width	16.5 mm
Static value A	1.01 cm <sup>2</sup>
Static value I <sub>y</sub>	0.44 cm
Static value I <sub>z</sub>	1.84 cm
Static value W <sub>y</sub>	0.42 cm <sup>2</sup>
Static value W <sub>z</sub>	1.05 cm <sup>2</sup>