

# Technical data sheet

## Anchor rail AMS3518, slot 16.5 mm, FT, perforated

Item number: 1112759



Central C profile rail for cable routing, in conjunction with clamp clips with a hammerhead foot. Can also be used as suspension construction for cable support systems.



**St** Steel

**FT** Hot-dip galvanised

### Master data

Item number	1112759
Type	AMS3518P2000FT
Description 1	Profile rail
Description 2	perforated, slot 16.5mm
Manufacturer	OBO
Dimension	2000x35x18
Material	Steel
Surface	Hot-dip galvanised
Surface standard	DIN EN ISO 1461
Smallest sales unit	2
Unit of quantity	Metre
Weight	122 kg
Weight unit	kg/100 m

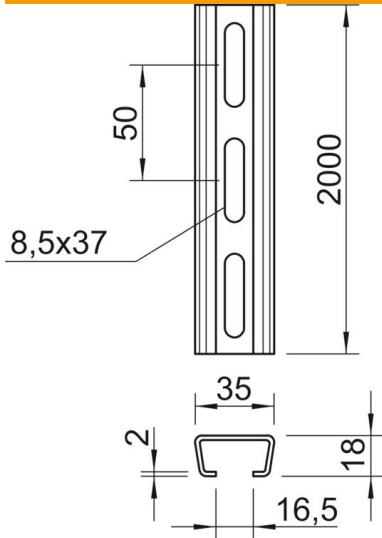
# Technical data sheet

Anchor rail AMS3518, slot 16.5 mm, FT, perforated

Item number: 1112759



## Dimensions



Length	2,000 mm
Width	35 mm
Height	18 mm
Dimension L	2,000 mm

## Technical data

Breakable	no
Type of perforation	Perforated back
Version for	Single profile
Drill hole spacing, centre	50 mm
Bundle	20 m
Maintain electrical functions	no
Material thickness	2 mm
With perforation	yes
With tothing	no
Profile shape	C profile
Slot width	16.5 mm
Static value A	1.31 cm <sup>2</sup>
Static value Iy	0.54 cm
Static value Iz	2.31 cm
Static value Wy	0.52 cm <sup>2</sup>
Static value Wz	1.32 cm <sup>2</sup>