

Technical data sheet

Spacer clip 733 ALU

Item number: 1362806



Spacer clip for the installation of pipes and cables on walls, ceilings and floors. With self-locking upper part. Fastening via slot. From the clip size of 20 suitable for installation with a nail device or bolt-firing device.

Approved for the maintenance of electrical function to DIN 4102 Part 12, maintenance of electrical function classes E30 to E90 (except ALU).



Alu Aluminium

Master data

| | |
|---------------------|-----------------|
| Item number | 1362806 |
| Type | ASL 733 12 ALU |
| Description 1 | Distance saddle |
| Description 2 | with slot |
| Manufacturer | OBO |
| Dimension | 10-12mm |
| Material | Aluminium |
| Smallest sales unit | 25 |
| Unit of quantity | Piece |
| Weight | 0.938 kg |
| Weight unit | kg/100 pc. |

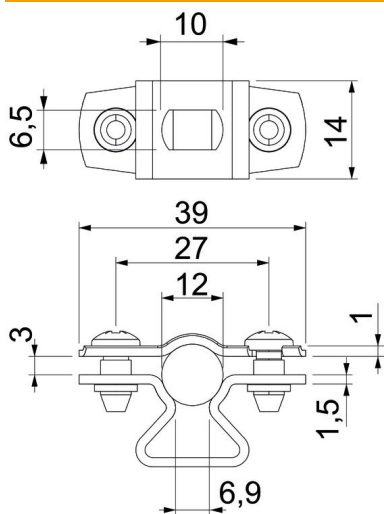
Technical data sheet

Spacer clip 733 ALU

Item number: 1362806



Dimensions



| | |
|-------------------|--------|
| Dimension A | 39 mm |
| Dimension B | 27 mm |
| Dimension b | 14 mm |
| Dimension D | 12 mm |
| Dimension d max. | 12 mm |
| Dimension d min. | 10 mm |
| Dimension L | 10 mm |
| Dimension s | 6.9 mm |
| Dimension t1 (mm) | 1 |
| Dimension t2 (mm) | 1.5 |
| Dimension x | 3 mm |

Technical data

| | |
|------------------------|------------|
| Distance to the wall | yes |
| Number of cables/pipes | 1 |
| Version for | Closed |
| Fastening type | Screw hole |
| For diameter | 10 - 12 |
| Halogen-free | yes |
| Plastic-covered | no |
| Material thickness | 1.5 mm |
| Clamping range D, max. | 12 mm |
| Clamping range D, min. | 10 mm |
| UV-resistant | yes |