

# Technical data sheet

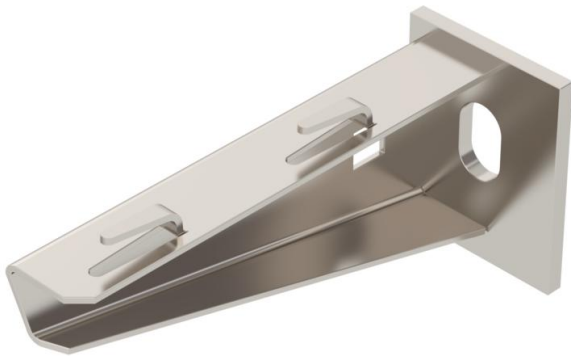
## Wall and support bracket AWG 15 A2

Item number: 6420625



Light-duty wall and support bracket with welded head plate for screwless mesh cable tray fastening.

Fastening of the bracket to the U support of width 400 mm or greater using a hexagonal bolt through both sides of the support. Please insert suitable spacers.



**A2** Stainless steel

**2B** Bright, treated

### Master data

Item number	6420625
Type	AWG 15 11 A2
Description 1	Wall and support bracket
Description 2	for mesh cable tray
Manufacturer	OBO
Dimension	B110mm
Material	Stainless steel
Surface	Bright, treated
Surface standard	
Smallest sales unit	1
Unit of quantity	Piece
Weight	13 kg
Weight unit	kg/100 pc.

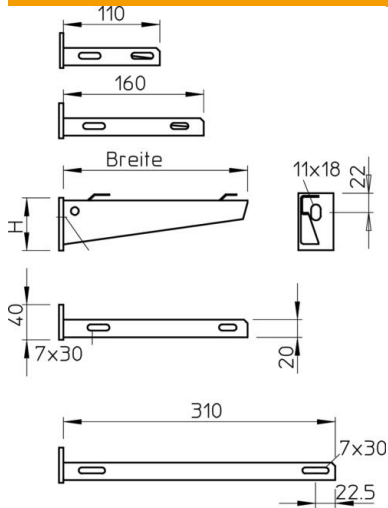
# Technical data sheet

## Wall and support bracket AWG 15 A2



Item number: 6420625

### Dimensions

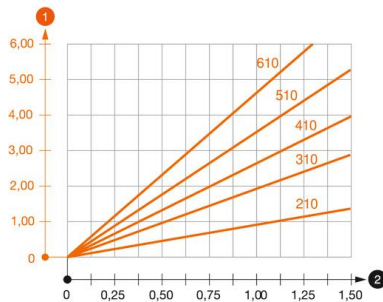


Length	40 mm
Width	110 mm
Height	50 mm
Dimension A	40 mm
Dimension B	110 mm
Dimension H	50 mm

### Technical data

Version for	Wall and support bracket
F in kN	1.5 kN
Maintain electrical functions	no
for width max.	100 mm
for width min.	100
Hole diameter	11 mm
Rustproof steel, pickled	yes
Angle range, max.	90 mm
Angle range, min.	90 mm

### Loads



Load diagram, bracket type AWG 15

- 1 Bending of the bracket tip at permitted bracket load
- 2 Permitted bracket load in kN without man load
- Load curve with bracket lengths in mm

# Technical data sheet

## Wall and support bracket AWG 15 A2

Item number: 6420625



### Characteristic anchor load values for wall and support bracket AW G 15

Wall fastening	Max. load [kN]							
	Bracket width [mm]							
Anchor type	110	160	210	310	410	510	560	610
BZ3 10x90/0-30	1.5	1.5	1.5	1.47	1.25	1.13	0.95	0.94

Die angegebenen Werte basieren auf ungerissenen Beton der Festigkeitsklasse C20/25. Die Einbaubedingungen der ETA-Zulassung (Dübel) sind zu beachten!