

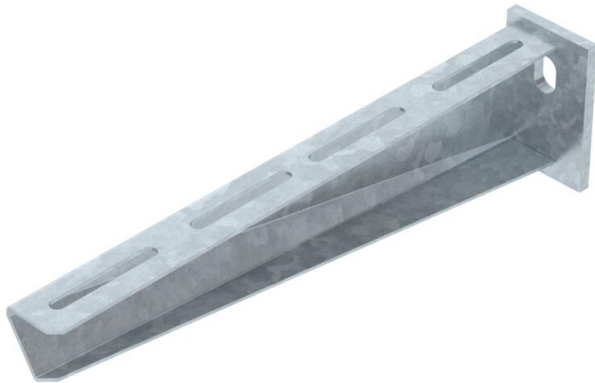
Technical data sheet

Wall and support bracket AW 30 FT

Item number: 6419747



Medium-duty wall and support bracket with welded head plate.
Fastening of the bracket to the U support of width 400 mm or greater using a hexagonal bolt through both sides of the support. Please insert suitable spacers.



St Steel

FT Hot-dip galvanised

Master data

| | |
|---------------------|--------------------------|
| Item number | 6419747 |
| Type | AW 30 31 FT |
| Description 1 | Wall and Support bracket |
| Description 2 | with welded head plate |
| Manufacturer | OBO |
| Dimension | B310mm |
| Material | Steel |
| Surface | Hot-dip galvanised |
| Surface standard | DIN EN ISO 1461 |
| Smallest sales unit | 1 |
| Unit of quantity | Piece |
| Weight | 63 kg |
| Weight unit | kg/100 pc. |

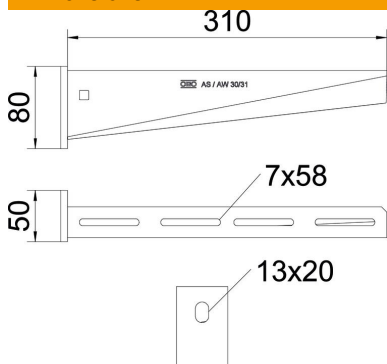
Technical data sheet

Wall and support bracket AW 30 FT

Item number: 6419747



Dimensions

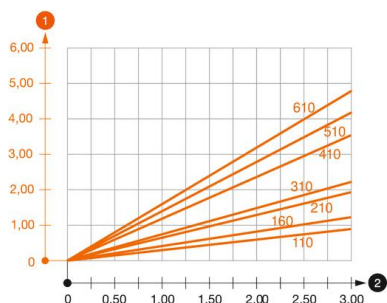


| | |
|-------------|--------|
| Length | 50 mm |
| Width | 310 mm |
| Height | 80 mm |
| Dimension A | 50 mm |
| Dimension B | 310 mm |
| Dimension H | 80 mm |

Technical data

| | |
|-------------------------------|--------------------------|
| Version for | Wall and support bracket |
| EPD article | yes |
| F in kN | 3 kN |
| Maintain electrical functions | yes |
| Hole diameter | 13 mm |
| Rustproof steel, pickled | no |
| Angle range, max. | 90 mm |
| Angle range, min. | 90 mm |

Loads



Load diagram, bracket, type AW 30

- 1** Bending of the bracket tip at permitted bracket load
- 2** Permitted bracket load in kN without man load
- Load curve with bracket lengths in mm

Characteristic anchor load values for wall and support bracket AW 30

| Anchor type | Wall fastening | | | | | | | | | |
|-----------------|--------------------|------|------|------|------|------|------|------|------|---|
| | Max. load [kN] | | | | | | | | | |
| | Bracket width [mm] | | | | | | | | | |
| | 110 | 160 | 210 | 310 | 410 | 510 | 560 | 610 | 710 | |
| BZ3 10x90/0-30 | 3.00 | 2.10 | - | - | - | - | - | - | - | - |
| BZ3 12x110/0-35 | - | - | 3.00 | 2.71 | 2.07 | 2.02 | 1.98 | 1.98 | 1.51 | |

Die angegebenen Werte basieren auf ungerissenen Beton der Festigkeitsklasse C20/25. Die Einbaubedingungen der ETA-Zulassung (Dübel) sind zu beachten!

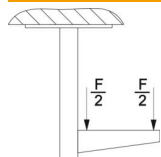
Technical data sheet

Wall and support bracket AW 30 FT

Item number: 6419747



Load values for AW 30 on suspended support



| Support | Max. total load F in kN | | | |
|------------------|-------------------------|-----|-----|-----|
| | Bracket length in mm | | | |
| | 100 | 200 | 300 | 400 |
| US 3 K/ 20 - 60 | 2.1 | 1.8 | 1.3 | 1.3 |
| US 3 K/ 70 - 120 | 1.8 | 1.5 | 1.3 | 1.3 |
| US 5 K/ 20 - 60 | 2.4 | 2.0 | 1.8 | 2.5 |
| US 5 K/ 70 - 120 | 2.4 | 2.0 | 1.4 | 2.5 |