

Technical data sheet

Junction box A 18

Item number: 2000422



Protection rating IP55, rated voltage 690 V, nominal cross-section 2.5 mm², 10 entries for cable diameter 5–14 mm

8 entries for cable diameter 5–11 mm.

Clamshell.

Dimensions: 125 x 100 x 40 mm

Clear internal dimensions: 115 x 90 x 35 mm

1 cut-out tool for every 10 boxes



PE Polyethylene

Master data

Item number	2000422
Type	A 18 HF RW
Description 1	Junction box
Manufacturer	OBO
Dimension	125x100x38
Colour	Pure white; RAL 9010
Material	Polyethylene
Smallest sales unit	10
Unit of quantity	Piece
Weight	6.957 kg
Weight unit	kg/100 pc.

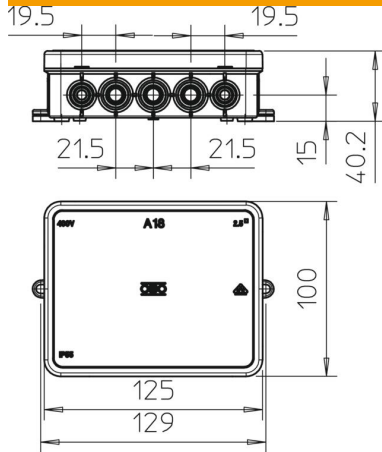
Technical data sheet

Junction box A 18

Item number: 2000422



Dimensions



Length	125 mm
Width	100 mm
Height	40 mm

Technical data

Expandable	yes
No. of entries	18
Type of insertion...	Cable
Type of entry	Cable
Type of housing penetration	Pre-marking
Measured insulation voltage V_i	690 V
Equipment	Without
Cover	Not transparent
Cover fastening	Locking
Entry from rear	no
Entries	10 entries for cable diameter 5–14 mm 8 entries for cable diameter 5–11 mm
Explosion-tested version	no
Flame-resistant	acc. to VDE 0471/DIN 695 Part 2-1, test temperature 650°C
Shape	Square
Maintain electrical functions	Without
For Ex zone	Without
For Ex zone gas	Without
For Ex zone dust	Without
Halogen-free	yes
Clear internal dimensions	115x90x35 mm
Max. Conductor cross-section	2.5 mm ²
With screening	no
with lid	yes
Mounting type	Wall/ceiling mounting
Nominal cross-section, min.	2.5 mm ²
Nominal voltage	690 V
Sealable	no
Protection rating	IP55
Permitted temperature range, max.	45 °C
Permitted temperature range, min.	-5 °C

Technical data sheet

Junction box A 18

Item number: 2000422



Technical data

Weatherproof	no
Junction box cover version	Blanking lid