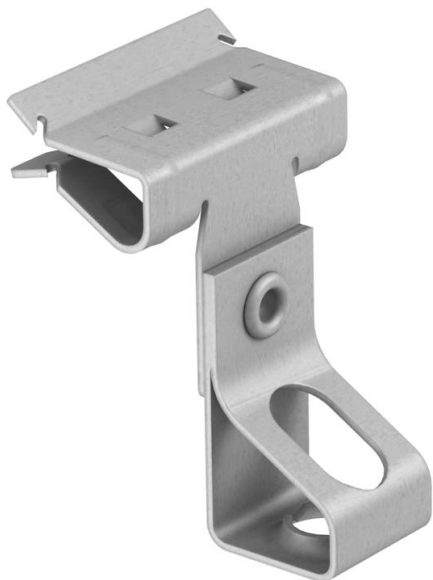


# Technical data sheet

## Beam clamp, for threaded rod

Item number: 1483669



Beam clamp for knocking in with threaded rod seat as individual fastening solution on the beam.

CE

- St Steel
- ZL Zinc slat

### Master data

Item number	1483669
Type	BCTR 4-8 M10
Description 1	Beam clamp
Description 2	with threaded rod M10
Manufacturer	OBO
Dimension	4-8mm
Material	Steel
Surface	Zinc slat
Surface standard	
Smallest sales unit	50
Unit of quantity	Piece
Weight	3.1 kg
Weight unit	kg/100 pc.

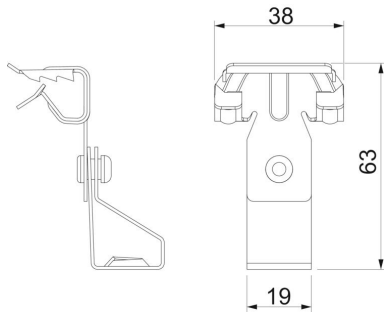
# Technical data sheet

## Beam clamp, for threaded rod

Item number: 1483669



### Dimensions



Dimension B	38 mm
Dimension L	63 mm

### Technical data

Connection type/component	Thread
Fastening type	Clamp
Flange thickness F max.	8 mm
Flange thickness F min.	4 mm
Thread	M10
Thread metric	10
Hinge, adjustable	no
Hinged	no