

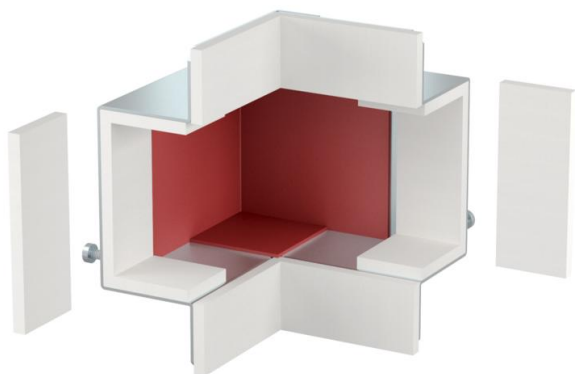
Technical data sheet

External corner

Item number: 7216520



Fitting hood to cover two BSKM 0407 duct ends as external corner for direct wall and ceiling mountings. Including glued-in seals for closing the joints and loose seals when combining with lock plate.



St Steel

FS Strip galvanized

Master data

Item number	7216520
Type	BSKM-AE 0407 FS
Description 1	External corner
Description 2	for wall and ceiling mounting
Manufacturer	OBO
Dimension	40x70
Material	Steel
Surface	Strip galvanized
Surface standard	DIN EN 10346
Smallest sales unit	1
Unit of quantity	Piece
Weight	60.728 kg
Weight unit	kg/100 pc.

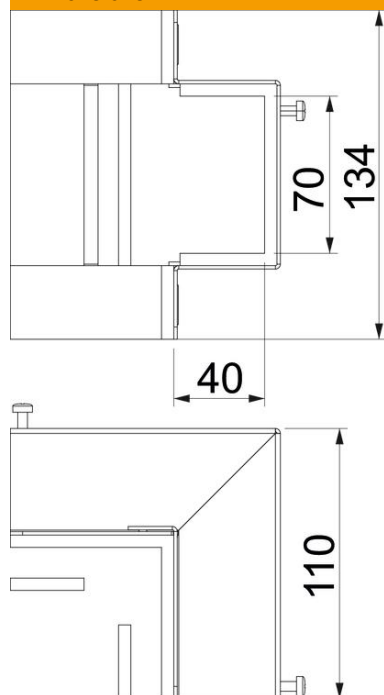
Technical data sheet

External corner

Item number: 7216520



Dimensions



Dimension A	134 mm
Dimension B	70 mm
Dimension H	40 mm
Dimension t	110 mm

Technical data

Number of flammable sides	3
Cover fastening	Miscellaneous
Fire resistance class I - installation duct	120
With perforation	no
Partitions possible	no
Jacketing	Steel
Material of the insulation	Miscellaneous
Angle of the bend	90 °