

# Technical data sheet

## Flat angle

Item number: 7216430



Fitting hood to cover two BSKM 1025 duct ends as flat angle for direct wall and ceiling mounting. Including glued-in seals for closing the joints and loose seals when combining with lock plate; screws for equipotential bonding also included.



**St** Steel

**FS** Strip galvanized

### Master data

Item number	7216430
Type	BSKM-FW 1025 FS
Description 1	Flat angle
Description 2	for wall and ceiling mounting
Manufacturer	OBO
Dimension	100x250
Material	Steel
Surface	Strip galvanized
Surface standard	DIN EN 10346
Smallest sales unit	1
Unit of quantity	Piece
Weight	289.8 kg
Weight unit	kg/100 pc.

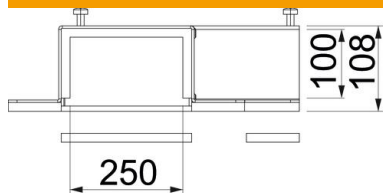
# Technical data sheet

## Flat angle

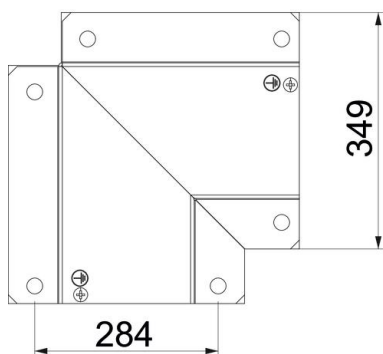
Item number: 7216430



### Dimensions



Dimension A	349 mm
Dimension B	250 mm
Dimension b	250 mm
Dimension d	284 mm
Dimension h	100 mm
Dimension H	100 mm
Dimension t	108 mm



### Technical data

Number of flammable sides	3
Cover fastening	Miscellaneous
Fire resistance class I – installation duct	120
With perforation	no
Partitions possible	no
Jacketing	Steel
Material of the insulation	Miscellaneous
Angle of the bend	90 °