

Technical data sheet

Reducing piece

Item number: 7216631



Fitting hood to cover a symmetrical reduction on a straight stretch of BSKM 1025 to BSKM 0711. Including glued-in seals for closing the joints and loose seals when combining with lock plate; screws for equipotential bonding also included.



St Steel

L Painted

Master data

Item number	7216631
Type	BSKM-RE 1025RW
Description 1	Reducer
Description 2	for wall and ceiling mounting
Manufacturer	OBO
Dimension	100x250
Colour	Pure white; RAL 9010
Material	Steel
Surface	Painted
Surface standard	
Smallest sales unit	1
Unit of quantity	Piece
Weight	73.2 kg
Weight unit	kg/100 pc.

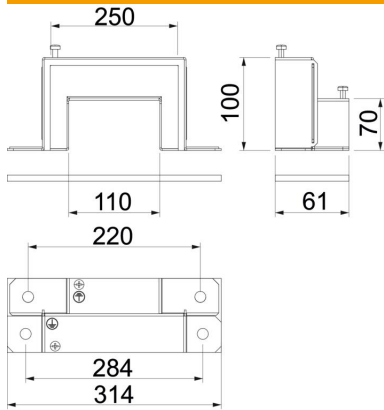
Technical data sheet

Reducing piece

Item number: 7216631



Dimensions



Width	314 mm
Height	105 mm
Dimension A	314 mm
Dimension B	250 mm
Dimension d	220 mm
Dimension e	284 mm
Dimension h	70 mm
Dimension H	100 mm
Dimension t	61 mm

Technical data

Number of flammable sides	3
Cover fastening	Screw
Fire resistance class I – installation duct	120
Jacketing	Steel
Material of the insulation	Miscellaneous