

Technical data sheet

Reducing piece

Item number: 7216404



Fitting hood to cover a symmetrical reduction on a straight stretch of BSKM 1025 to BSKM 0711. Including glued-in seals for closing the joints and loose seals when combining with lock plate; screws for equipotential bonding also included.



St Steel

FS Strip galvanized

Master data

Item number	7216404
Type	BSKM-RE 1025 FS
Description 1	Reducer
Description 2	for wall and ceiling mounting
Manufacturer	OBO
Dimension	100x250
Material	Steel
Surface	Strip galvanized
Surface standard	DIN EN 10346
Smallest sales unit	1
Unit of quantity	Piece
Weight	73.2 kg
Weight unit	kg/100 pc.

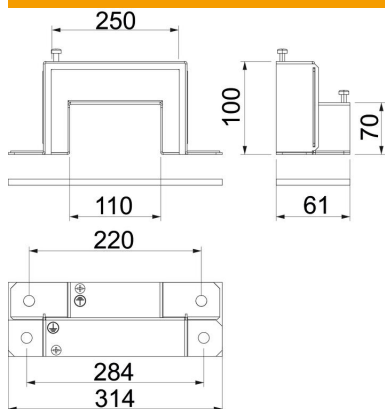
Technical data sheet

Reducing piece

Item number: 7216404



Dimensions



Width	314 mm
Height	105 mm
Dimension A	314 mm
Dimension B	250 mm
Dimension d	220 mm
Dimension e	284 mm
Dimension h	70 mm
Dimension H	100 mm
Dimension t	61 mm

Technical data

Number of flammable sides	3
Cover fastening	Screw
Fire resistance class I - installation duct	120
Jacketing	Steel
Material of the insulation	Miscellaneous