

Technical data sheet

Connector

Item number: 7216510



Clamp with integrated seal for BSKM 0407, for connection and smoke-proof sealing of duct joints. Usable at min. 30 mm side distance of the duct to the ceiling or wall. Including loose seal for combination with support profile.



- St** Steel
- FS** Strip galvanized

Master data

Item number	7216510
Type	BSKM-VD 0407 FS
Description 1	Connector with seal
Description 2	for wall and ceiling mounting
Manufacturer	OBO
Dimension	40x70
Material	Steel
Surface	Strip galvanized
Surface standard	DIN EN 10346
Smallest sales unit	1
Unit of quantity	Piece
Weight	24 kg
Weight unit	kg/100 pc.

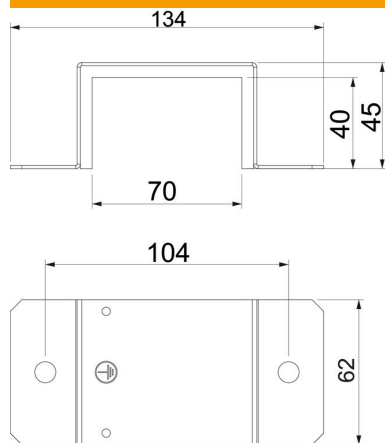
Technical data sheet

Connector

Item number: 7216510



Dimensions



Dimension A	134 mm
Dimension B	70 mm
Dimension d	104 mm
Dimension H	40 mm
Dimension t	45 mm

Technical data

Type of accessory	Miscellaneous
Fire resistance class I - installation duct	120