

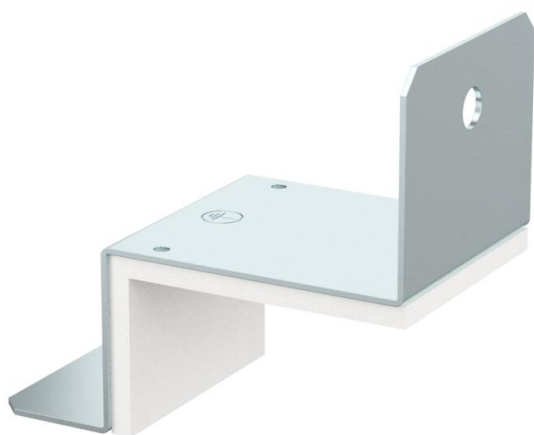
Technical data sheet

Connector for corner mounting

Item number: 7216512



Clamp with integrated seal for BSKM 0407, for smoke-proof sealing of duct joints in the case of corner mounting without duct spacing to the ceiling or wall.



- St** Steel
- FS** Strip galvanized

Master data

Item number	7216512
Type	BSKM-VE 0407 FS
Description 1	Connector with seal
Description 2	for corner mounting
Manufacturer	OBO
Dimension	40x70
Material	Steel
Surface	Strip galvanized
Surface standard	DIN EN 10346
Smallest sales unit	1
Unit of quantity	Piece
Weight	17 kg
Weight unit	kg/100 pc.

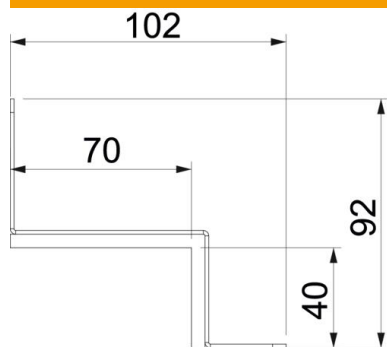
Technical data sheet

Connector for corner mounting

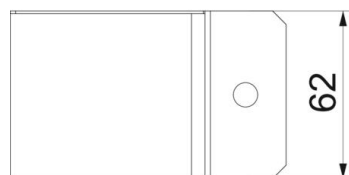


Item number: 7216512

Dimensions



Dimension A	102 mm
Dimension B	70 mm
Dimension H	40 mm
Dimension t	92 mm



Technical data

Type of accessory	Miscellaneous
Fire resistance class I – installation duct	120