

# Technical data sheet

## Plug-in seal EDK pure white

Item number: 2011689



The plug-in seal can be cut back to suit the relevant cable diameter.



**TPE** Thermoplastic elastomer

### Master data

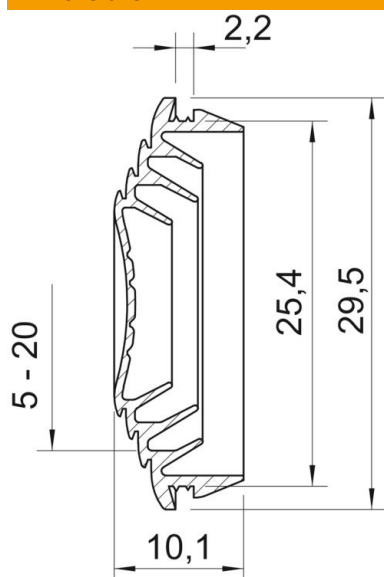
Item number	2011689
Type	EDK 25 RW
Description 1	Plug-in seal
Description 2	for cable
Manufacturer	OBO
Dimension	Ø25/5-20
Colour	Pure white; RAL 9010
Material	Thermoplastic elastomer
Smallest sales unit	100
Unit of quantity	Piece
Weight	0.214 kg
Weight unit	kg/100 pc.

# Technical data sheet

## Plug-in seal EDK pure white

Item number: 2011689

### Dimensions



Dimension A	2.2 mm
Dimension D1	29.5 mm
Dimension D2	25.4 mm
Dimension D3	5 mm
Maß D4	14 mm
Dimension D5	15 mm
Dimension D6	18
Dimension D7	19
Dimension D8	20
Dimension L	10.1 mm

### Technical data

Version for	Cuttable
for diameter, max.	20 mm
for diameter, min.	5 mm
for wall thickness, max.	2.2
for wall thickness, min.	2.2
Size	M25
Halogen-free	yes
Nominal diameter	25 mm
Protection rating	IP55