

# Technical data sheet

## Plug-in seal EDK light grey

Item number: 2011646



The plug-in seal can be cut back to suit the relevant cable diameter.



**TPE** Thermoplastic elastomer

### Master data

|                     |                         |
|---------------------|-------------------------|
| Item number         | 2011646                 |
| Type                | EDK 32 LGR              |
| Description 1       | Plug-in seal            |
| Description 2       | for cable               |
| Manufacturer        | OBO                     |
| Dimension           | Ø32/5-25                |
| Colour              | Light grey; RAL 7035    |
| Material            | Thermoplastic elastomer |
| Smallest sales unit | 50                      |
| Unit of quantity    | Piece                   |
| Weight              | 0.328 kg                |
| Weight unit         | kg/100 pc.              |

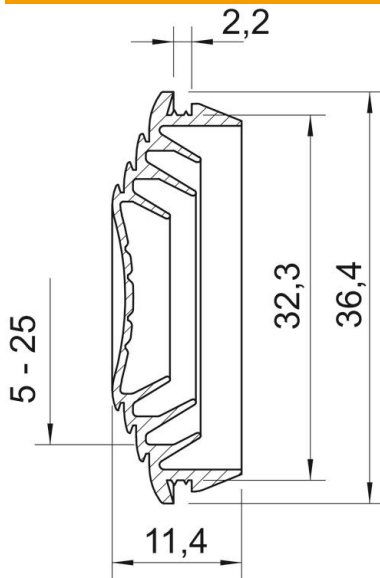
# Technical data sheet

## Plug-in seal EDK light grey

Item number: 2011646



### Dimensions



|                   |         |
|-------------------|---------|
| Dimension A       | 2.2 mm  |
| Dimension D1      | 36.4 mm |
| Dimension D2      | 32.3 mm |
| Dimension D3      | 5 mm    |
| Maß D4            | 14 mm   |
| Dimension D5      | 15 mm   |
| Dimension D6      | 18      |
| Dimension D7      | 19      |
| Dimension D8      | 20      |
| Dimension D9 (mm) | 25      |
| Dimension L       | 11.4 mm |

### Technical data

|                          |          |
|--------------------------|----------|
| Version for              | Cuttable |
| for diameter, max.       | 25 mm    |
| for diameter, min.       | 5 mm     |
| for wall thickness, max. | 2.2      |
| for wall thickness, min. | 2.2      |
| Size                     | M32      |
| Halogen-free             | yes      |
| Nominal diameter         | 32 mm    |
| Protection rating        | IP55     |