

# Technical data sheet

## Plug-in seal EDK pure white

Item number: 2011700



The plug-in seal can be cut back to suit the relevant cable diameter.



**TPE** Thermoplastic elastomer

### Master data

Item number	2011700
Type	EDK 40 RW
Description 1	Plug-in seal
Description 2	for cable
Manufacturer	OBO
Dimension	Ø40/5-32
Colour	Pure white; RAL 9010
Material	Thermoplastic elastomer
Smallest sales unit	25
Unit of quantity	Piece
Weight	0.534 kg
Weight unit	kg/100 pc.

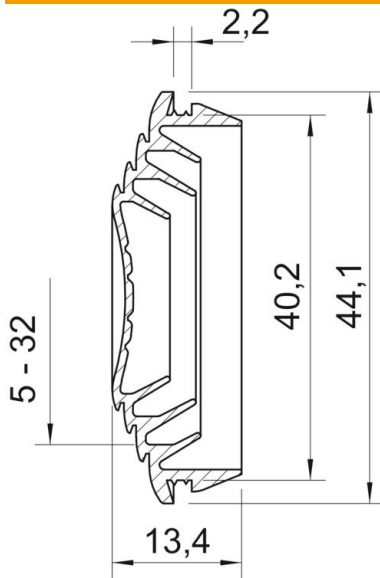
# Technical data sheet

## Plug-in seal EDK pure white

Item number: 2011700



### Dimensions



Dimension A	2.2 mm
Dimension D1	44.1 mm
Dimension D2	40.2 mm
Dimension D3	5 mm
Maß D4	14 mm
Dimension D5	15 mm
Dimension D6	18
Dimension D7	20
Dimension D8	25
Dimension D9 (mm)	32
Dimension L	13.4 mm

### Technical data

Version for	Cuttable
for diameter, max.	32 mm
for diameter, min.	5 mm
for wall thickness, max.	2.2
for wall thickness, min.	2.2
Size	M40
Halogen-free	yes
Nominal diameter	40 mm
Protection rating	IP55