

Technical data sheet

Screw-in beam clamp, with thread

Item number: 1488074



With thread.

Max. tightening torque: 8 Nm



TG Cast iron

Master data

Item number	1488074
Type	FL1-G M8 TG
Description 1	Carrier screw clamp
Description 2	with female thread M8
Manufacturer	OBO
Dimension	0-17mm
Material	Cast iron
Smallest sales unit	50
Unit of quantity	Piece
Weight	8.5 kg
Weight unit	kg/100 pc.

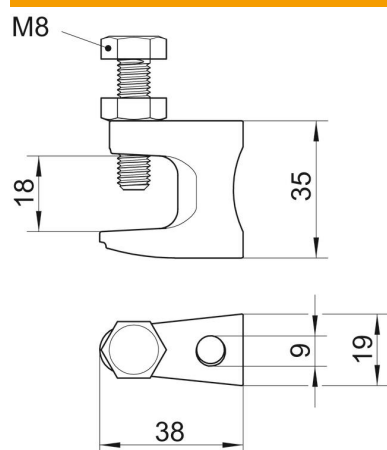
Technical data sheet

Screw-in beam clamp, with thread

Item number: 1488074



Dimensions



Length	38 mm
Width	19 mm
Height	35 mm
Dimension B	19 mm
Dimension F	18 mm
Dimension G (mm)	M8
Dimension H	35 mm
Dimension L	38 mm

Technical data

Connection type/component	Thread
Fastening type	Bolts
Breaking load	1.2 kN
Flange thickness F max.	18 mm
Flange thickness F min.	0 mm
Suitable for metric threaded rod	8
Thread metric	8
Max. Tightening torque	8 Nm
Hinge, adjustable	no
Hinged	no