

# Technical data sheet

## Screw-in beam clamp, with thread

Item number: 1488090



With thread.

Max. tightening torque: 21 Nm



**TG** Cast iron

### Master data

Item number	1488090
Type	FL3-G M12 TG
Description 1	Carrier screw clamp
Description 2	with female thread M12
Manufacturer	OBO
Dimension	0-26mm
Material	Cast iron
Smallest sales unit	25
Unit of quantity	Piece
Weight	22 kg
Weight unit	kg/100 pc.

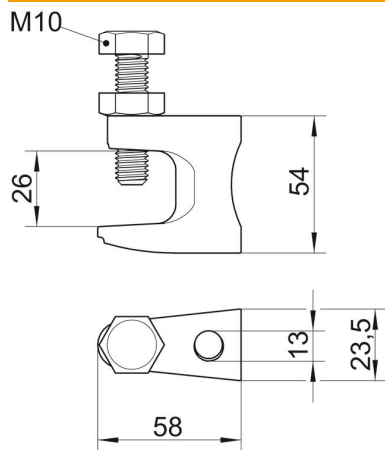
# Technical data sheet

## Screw-in beam clamp, with thread

Item number: 1488090



### Dimensions



Length	58 mm
Width	23.5 mm
Height	54 mm
Dimension B	23.5 mm
Dimension F	26 mm
Dimension G (mm)	M10
Dimension H	54 mm
Dimension L	58 mm

### Technical data

Connection type/component	Thread
Fastening type	Bolts
Breaking load	3.5 kN
Flange thickness F max.	26 mm
Flange thickness F min.	0 mm
Suitable for metric threaded rod	12
Thread metric	12
Max. Tightening torque	21 Nm
Hinge, adjustable	no
Hinged	no