

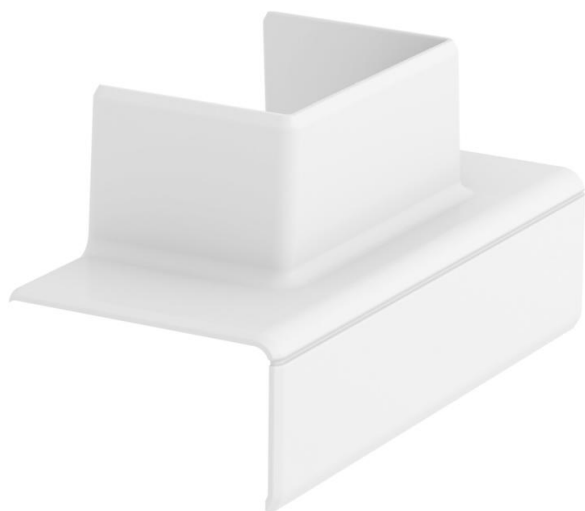
Technical data sheet

T piece adapter WDK 40060

Item number: 6113310



T-piece adapter to create a 90° junction from the system size Rapid 45-2 53100 and 53165 on a cable trunking WDK40060.



Polycarbonate/Acrylnitrile-butadiene-styrene

Master data

| | |
|---------------------|--|
| Item number | 6113310 |
| Type | GK-TA WDK 1RW |
| Description 1 | T piece adaptor |
| Description 2 | 100 and 165 to WDK 40060 |
| Manufacturer | OBO |
| Dimension | 120x62x56 |
| Colour | Pure white; RAL 9010 |
| Material | Polycarbonate/Acrylnitrile-butadiene-styrene |
| Smallest sales unit | 1 |
| Unit of quantity | Piece |
| Weight | 3.002 kg |
| Weight unit | kg/100 pc. |

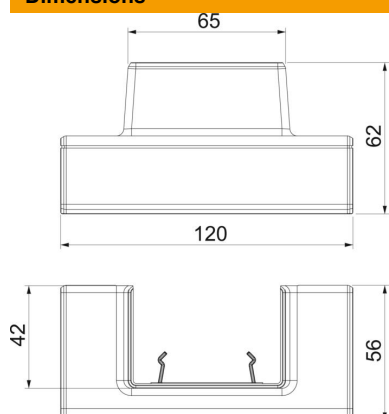
Technical data sheet

T piece adapter WDK 40060

Item number: 6113310



Dimensions



| | |
|--------|---------|
| Length | 120 mm |
| Width | 62 mm |
| Height | 55.5 mm |

Technical data

| | |
|-----------------------------------|--------------|
| Number of covers | 0 |
| Version for | Hood fitting |
| for duct width | 100 mm |
| for trunking height | 53 mm |
| Halogen-free | yes |
| Cable retaining clip | no |
| Duct connector | no |
| Cover mounting type | Cross-over |
| Mounting perforation in base | no |
| Cover width | 0 mm |
| Cover width 2 | 0 mm |
| Cover width 3 | 0 mm |
| Protection rating | IP40 |
| Protective film | no |
| Protection rating IK code | IK08 |
| Symmetrical | no |
| Permitted temperature range, max. | 60 °C |
| Permitted temperature range, min. | -15 °C |