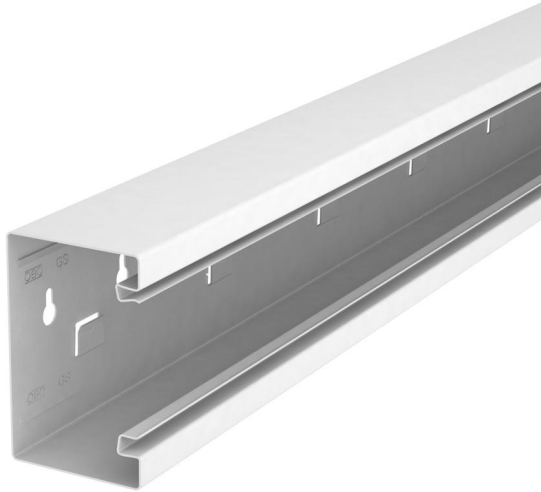


Technical data sheet

Device installation trunking Rapid 80, trunking width 110,
trunking height 70, symmetrical
Item number: 6277007



GS device installation trunking for mounting on the wall or on fastening panels. The GS device installation trunking possesses self-contacting locking straps to accept a sheet steel partition. The equipotential bonding between the trunking bases takes place using the trunking coupling. The protective measure and the equipotential bonding is guaranteed between the cover and the base by the self-contacting trunking cover. The real system opening is 76.5 mm. The cover must be ordered separately.

Over-lengths up to 3000 mm for trunking bases and covers as well as other RAL colours can be provided on request. The visible surfaces of the painted device installation trunking are laminated.



St Steel

Master data

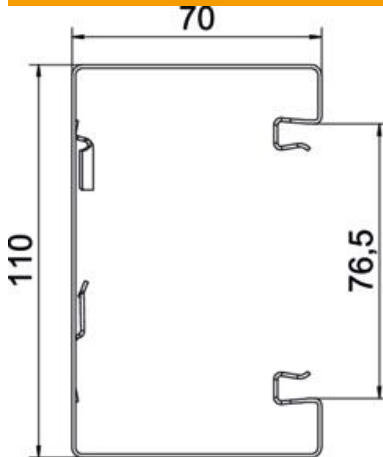
Item number	6277007
Type	GS-S70110RW
Description 1	Device installation trunking
Description 2	symmetrical
Manufacturer	OBO
Dimension	70x110x3000
Colour	Pure white; RAL 9010
Material	Steel
Smallest sales unit	3
Unit of quantity	Metre
Weight	258 kg
Weight unit	kg/100 m

Technical data sheet

Device installation trunking Rapid 80, trunking width 110, trunking height 70, symmetrical
Item number: 6277007



Dimensions



Length	3,000 mm
Width	110 mm
Height	70 mm

Technical data

Number of covers	1
Number of insertable partitions	1
Rear panel version (inner side)	With locking lugs
Rectangular shape	yes
Base perforation	with base perforation
Halogen-free	yes
Cable retaining clip	no
Duct connector	no
Cover mounting type	Internal
Mounting perforation in base	yes
Usable cross-section	6036 mm ²
Cover supplied	no
Cover width	76.5 mm
Protection rating	IP30
Protective film	yes
Protection rating IK code	IK10
Symmetrical	yes
Permitted temperature range, max.	60 °C
Permitted temperature range, min.	-25 °C